

FCS-FL2G-P

SMA Connector, DC~26.5GHz

Features:
* Low VSWR

Applications:
* Wireless
* Radar
* Instruments
* Electronics

Electrical

Frequency:	DC~26.5GHz
VSWR:	1.15 max.
Impedance of Dielectric:	5000MΩ min.
Impedance of Inner Conductor:	3mΩ max.
Impedance of Outer Conductor:	2mΩ max.
Voltage Withstand:	1000V DC
Impedance:	50Ω

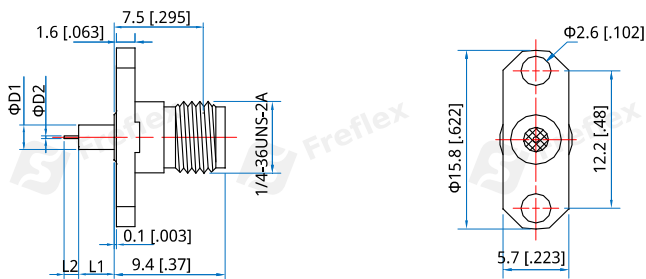
Mechanical

RF Connector:	SMA Female
Mating Life Cycle:	500 cycles
Outer Conductor:	Passivated SUS303 Stainless Steel
Dielectric:	PEI & PTFE
Inner Conductor:	Gold Plated Beryllium Copper

Environmental

Temperature: -55~+165°C

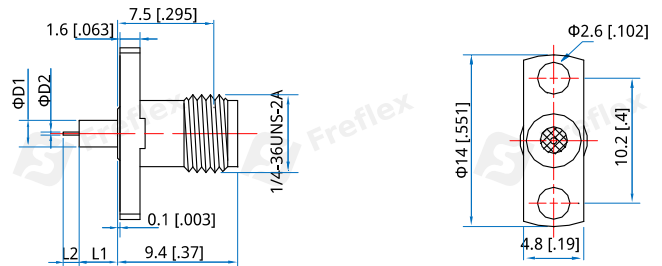
Outline Drawings



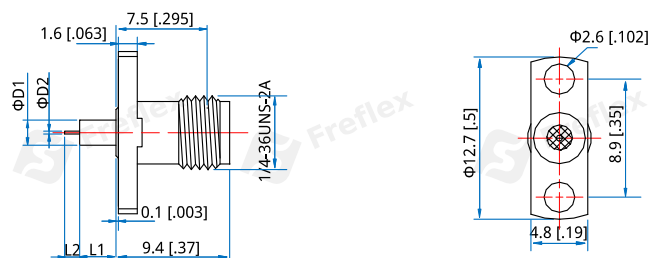
Part Number	ΦD1	ΦD2	L1	L2
FCS-FL2G-P30-01	2.2 [.087]	0.3 [.012]	3.2 [.126]	1.27 [.05]
FCS-FL2G-P64-02	3.9 [.154]	0.64 [.025]	15 [.591]	3 [.118]
FCS-FL2G-P64-03	2.1 [.083]	0.64 [.025]	15 [.591]	3 [.118]
FCS-FL2G-P30-04	2.2 [.087]	0.3 [.012]	4.3 [.169]	1.3 [.051]

Unit: mm [in]

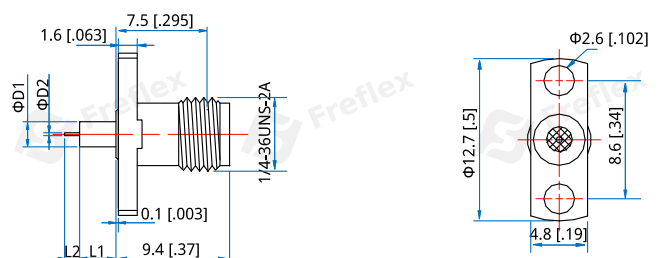
Tolerance: ±0.2mm [±0.008in]



Part Number	ΦD1	ΦD2	L1	L2
FCS-FL2G-P30-05	2.2 [.087]	0.3 [.012]	3.2 [.126]	1.27 [.05]
FCS-FL2G-P64-06	2.1 [.083]	0.64 [.025]	15 [.591]	3 [.118]
FCS-FL2G-P30-07	2.2 [.087]	0.3 [.012]	4.3 [.169]	1.3 [.051]

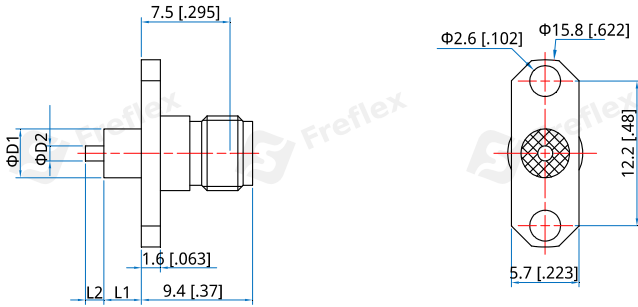


Part Number	ΦD1	ΦD2	L1	L2
FCS-FL2G-P30-08	2.2 [.087]	0.3 [.012]	3.2 [.126]	1.27 [.05]
FCS-FL2G-P64-09	2.1 [.083]	0.64 [.025]	15 [.591]	3 [.118]
FCS-FL2G-P30-10	2.2 [.087]	0.3 [.012]	4.3 [.169]	1.3 [.051]

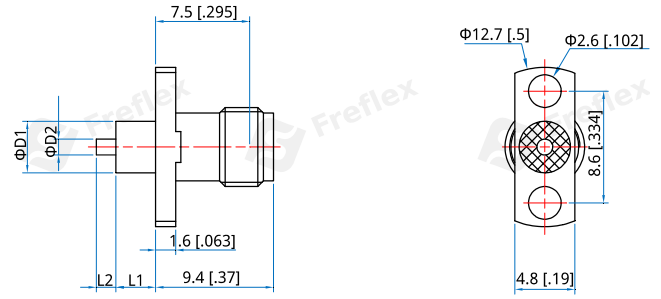


Part Number	ΦD1	ΦD2	L1	L2
FCS-FL2G-P30-11	2.2 [.087]	0.3 [.012]	3.2 [.126]	1.27 [.05]
FCS-FL2G-P64-12	2.1 [.083]	0.64 [.025]	15 [.591]	3 [.118]
FCS-FL2G-P30-13	2.2 [.087]	0.3 [.012]	4.3 [.169]	1.3 [.051]

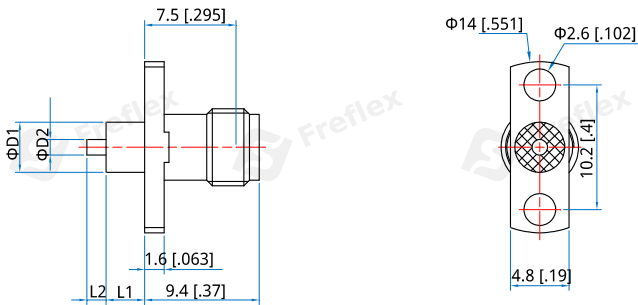
Connectors



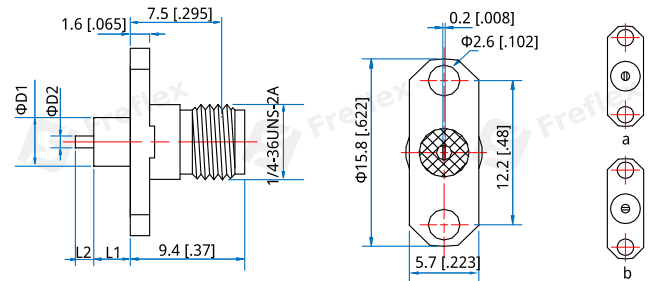
Part Number	ΦD1	ΦD2	L1	L2
FCS-FL2G-P127-14	4.1 [.161]	1.27 [.05]	3.17 [.125]	1.57 [.062]
FCS-FL2G-P127-15	4.1 [.161]	1.27 [.05]	5 [.197]	2 [.079]
FCS-FL2G-P127-16	4.1 [.161]	1.27 [.05]	5 [.197]	24 [.945]



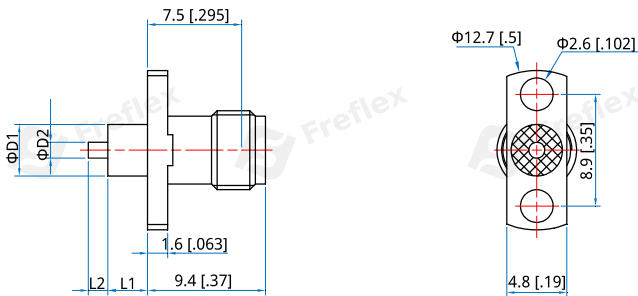
Part Number	ΦD1	ΦD2	L1	L2
FCS-FL2G-P127-23	4.1 [.161]	1.27 [.05]	3.17 [.125]	1.57 [.062]
FCS-FL2G-P127-24	4.1 [.161]	1.27 [.05]	5 [.197]	2 [.079]
FCS-FL2G-P127-25	4.1 [.161]	1.27 [.05]	5 [.197]	24 [.945]



Part Number	ΦD1	ΦD2	L1	L2
FCS-FL2G-P127-17	4.1 [.161]	1.27 [.05]	3.17 [.125]	1.57 [.062]
FCS-FL2G-P127-18	4.1 [.161]	1.27 [.05]	5 [.197]	2 [.079]
FCS-FL2G-P127-19	4.1 [.161]	1.27 [.05]	5 [.197]	24 [.945]



Part Number	ΦD1	ΦD2	L1	L2
FCS-FL2G-P100-26	4.1 [.161]	1 [.04]	4 [.158]	1.5 [.059] a
FCS-FL2G-P100-27	4.1 [.161]	1 [.04]	4 [.158]	1.5 [.059] b
FCS-FL2G-P100-28	4.1 [.161]	1 [.04]	3 [.118]	1.5 [.059] a
FCS-FL2G-P100-29	4.1 [.161]	1 [.04]	3 [.118]	1.5 [.059] b



Part Number	ΦD1	ΦD2	L1	L2
FCS-FL2G-P127-20	4.1 [.161]	1.27 [.05]	3.17 [.125]	1.57 [.062]
FCS-FL2G-P127-21	4.1 [.161]	1.27 [.05]	5 [.197]	2 [.079]
FCS-FL2G-P127-22	4.1 [.161]	1.27 [.05]	5 [.197]	24 [.945]