

FCS-FYB-M60

SMA Connector, DC~18GHz

Features:
* Low VSWR

Applications:
* Wireless
* Radar
* Instruments
* Electronics

Electrical

Frequency:	DC~18GHz
VSWR:	1.2 max.
Impedance of Dielectric:	5000MΩ
Voltage Withstand:	750V rms
Impedance:	50Ω

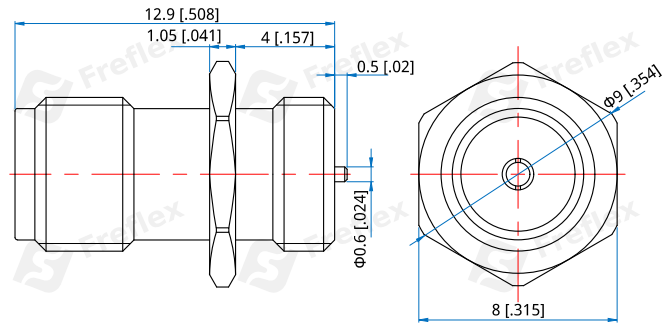
Mechanical

RF Connector:	SMA Female
Outer Conductor:	Ternary alloy plated brass
Dielectric:	PTFE
Inner Conductor:	Gold plated phosphor copper

Environmental

Temperature:	-55~+165°C
--------------	------------

Outline Drawings



Unit: mm [in]

Tolerance: ±0.2mm [±0.008in]

How To Order

FCS-FYB-M60

Customization is available upon request.