

FBM-10000-40000

10~40GHz

Features:

- * Low Conversion Loss
- * High Isolation

Applications:

- * Wireless
- * Transceiver
- * Laboratory Test
- * Broadcast

Electrical

RF/LO Frequency:	10~40GHz
LO Input Power:	15dBm typ.
IF Frequency:	DC~14GHz
Conversion Loss:	10dB typ.
Isolation (LO, RF):	40dB typ.
Isolation (LO, IF):	30dB typ.
Isolation (RF, IF):	30dB typ.
VSWR:	2 typ.

Absolute Maximum Ratings

Input Power:	+30dBm
--------------	--------

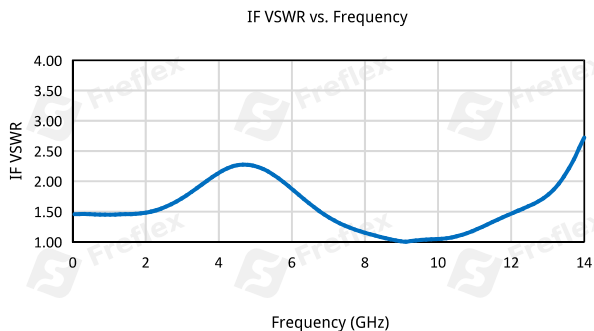
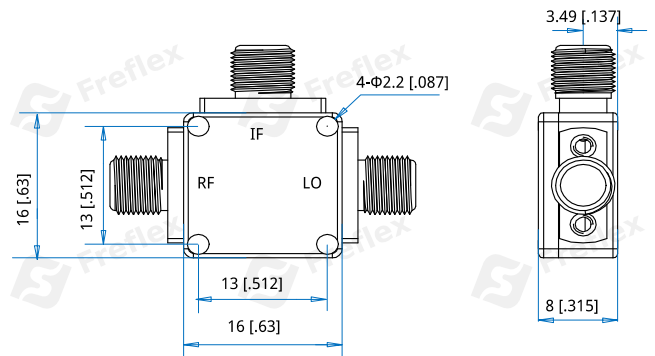
Mechanical

Size ^{*1} :	16*16*8mm 0.63*0.63*0.315in
RF/LO Connectors:	2.92mm Female
IF Connectors:	SMA Female
Mounting:	4*Φ2.2mm through-hole

[1] Exclude connectors.

Environmental

Operating Temperature:	-45~+85°C
Non-operating Temperature:	-55~+100°C

Typical Performance Curves

Outline Drawings


Unit: mm [in]

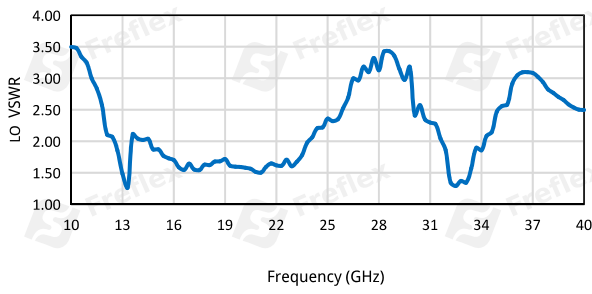
Tolerance: ±0.2mm [±0.008in]

How To Order

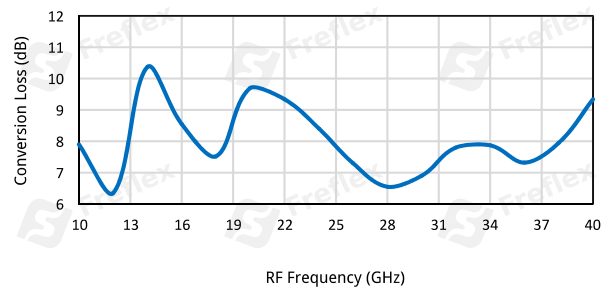
FBM-10000-40000

Customization is available upon request.

LO VSWR vs. Frequency



Downconversion Loss vs. Frequency



Isolation vs. Frequency

