

FBM-1700-8000

1.7~8GHz

Features:

- * Low Conversion Loss
- * High Isolation

Applications:

- * Wireless
- * Transceiver
- * Laboratory Test
- * Broadcast

Electrical

RF Frequency:	1.7~8GHz
LO Frequency:	1.7~8GHz
LO Input Power:	+10dBm typ.
IF Frequency:	DC~3GHz
Conversion Loss:	6dB typ.
Input Power(P1dB):	3dBm typ.
Isolation (LO, RF):	25dB typ.
Isolation (LO, IF):	20dB typ.
VSWR:	3 typ.

Absolute Maximum Ratings

RF Input Power:	+17dBm
-----------------	--------

Mechanical

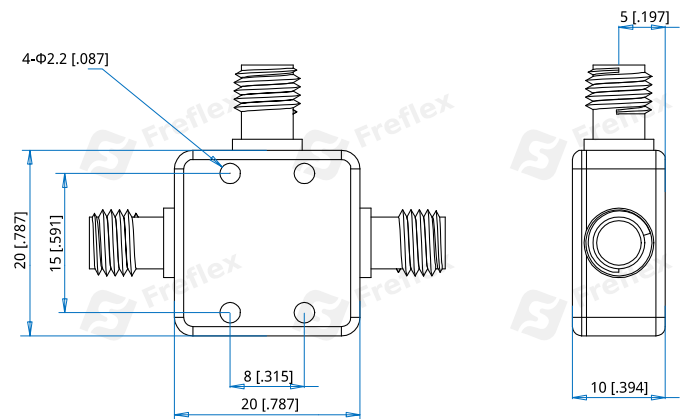
Size ^{*1} :	20*20*10mm 0.787*0.787*0.394in
Connectors:	SMA Female
Mounting:	4-Φ2.2mm through-hole

[1] Exclude connectors.

Environmental

Operating Temperature:	-35~+75°C
------------------------	-----------

Outline Drawings



Unit: mm [in]

Tolerance: ±0.2mm [±0.008in]

How To Order

FBM-1700-8000

Customization is available upon request.