

FBM-18000-50000

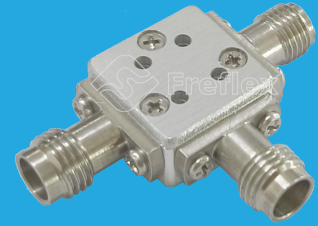
18~50GHz

Features:

- * Low Conversion Loss
- * High Isolation

Applications:

- * Wireless
- * Transceiver
- * Laboratory Test
- * Broadcast



Electrical

RF Frequency:	18~50GHz
LO Frequency:	18~50GHz
LO Input Power:	+15dBm typ.
IF Frequency:	DC~22GHz
Conversion Loss:	8dB typ.
Isolation (LO, RF):	30dB typ.
Isolation (LO, IF):	30dB typ.
Isolation (RF, IF):	30dB typ.
VSWR:	2.8 typ.

Absolute Maximum Ratings*1

Input Power: +22dBm

[1] Permanent damage may occur if any of these limits are exceeded.

Mechanical

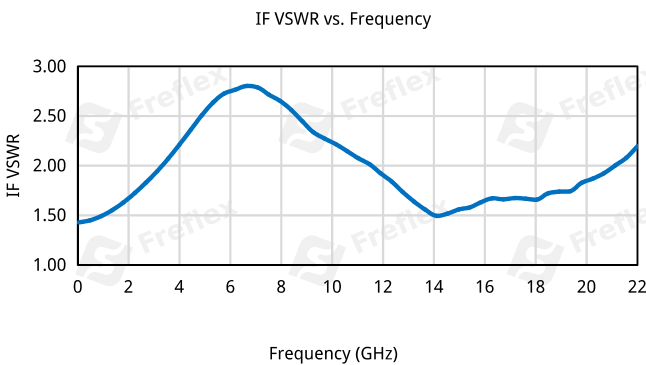
Size*2:	14*14*8mm 0.551*0.551*0.315in
IF Connectors:	SMA Female
RF/LO Connectors:	2.4mm Female
Mounting:	4*Φ1.8mm through-hole

[2] Exclude connectors.

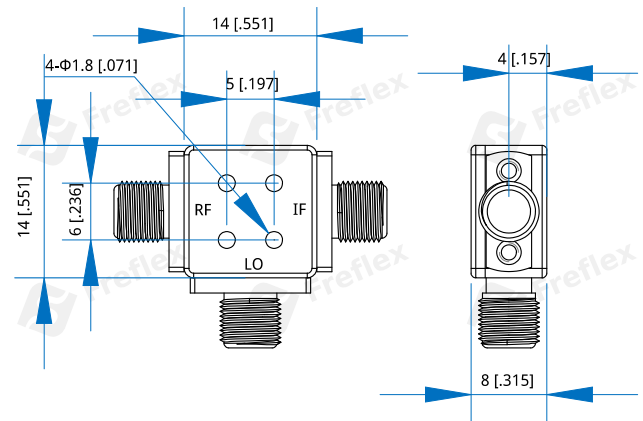
Environmental

Operating Temperature:	-55~+85°C
Non-operating Temperature:	-65~+150°C

Typical Performance Curves



Outline Drawings



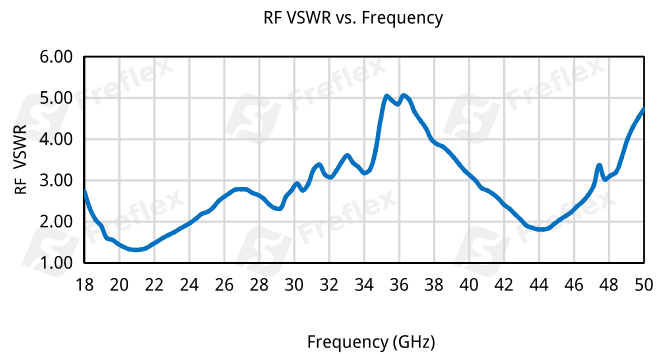
Unit: mm [in]

Tolerance: ±0.2mm [±0.008in]

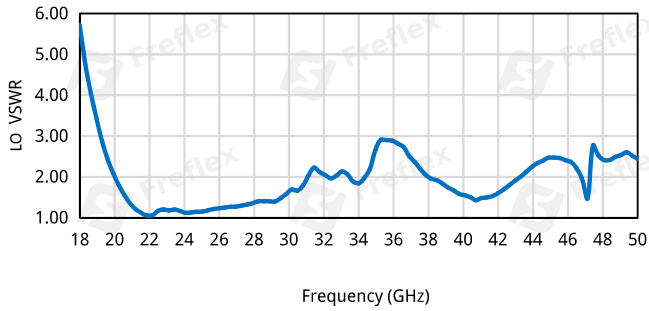
How To Order

FBM-18000-50000

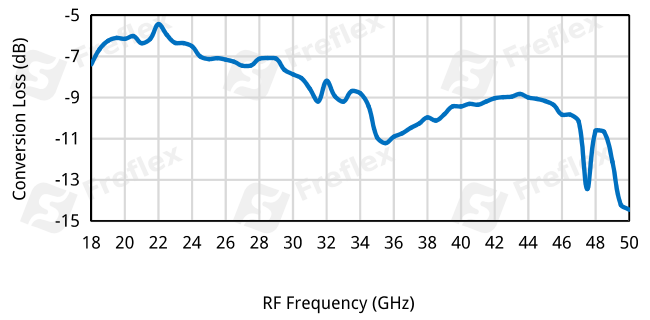
Customization is available upon request.



LO VSWR vs. Frequency



Downconversion Loss vs. Frequency



Isolation vs. Frequency

