

FBM-2000-24000

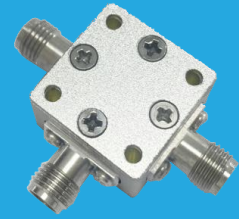
2~24GHz

Features:

- * Low Conversion Loss
- * High Isolation

Applications:

- * Wireless
- * Transceiver
- * Laboratory Test
- * Broadcast



Electrical

RF Frequency:	2~24GHz
LO Frequency:	2~24GHz
LO Input Power:	+7~15dBm
IF Frequency:	DC~4GHz
Conversion Loss:	10dB typ.
Input Power(P1dB):	3dBm typ.
Isolation (LO, RF):	40dB typ.
Isolation (LO, IF):	25dB typ.
Isolation (RF, IF):	25dB typ.
VSWR:	3 typ.

Absolute Maximum Ratings

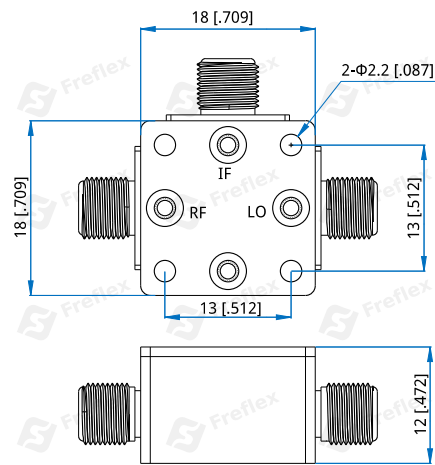
RF Input Power:	+30dBm
IF Current:	30mA

Mechanical

Size ^{*1} :	18*18*12mm 0.709*0.709*0.472in
Connectors:	SMA Female
Mounting:	2-Φ2.2mm through-hole

[1] Exclude connectors.

Outline Drawings



Unit: mm [in]

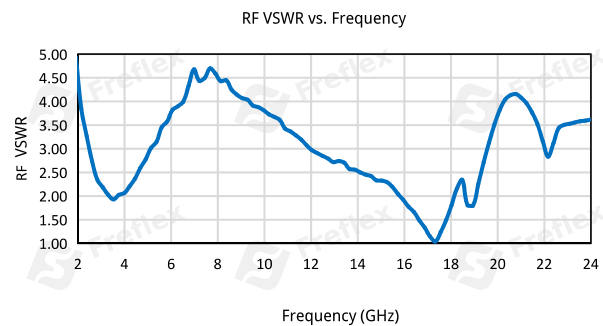
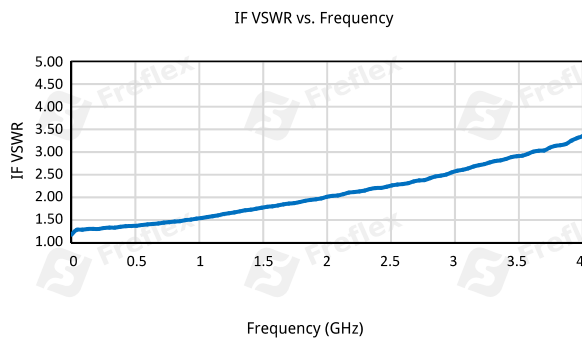
Tolerance: ±0.2mm [±0.008in]

How To Order

FBM-2000-24000

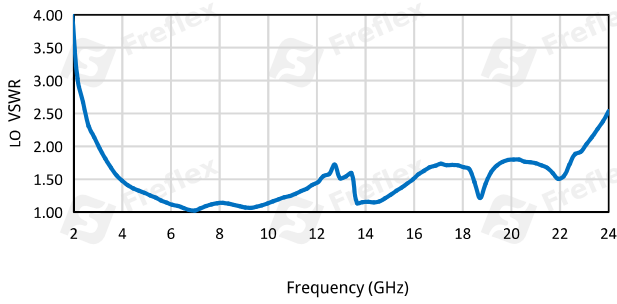
Customization is available upon request.

Typical Performance Curves

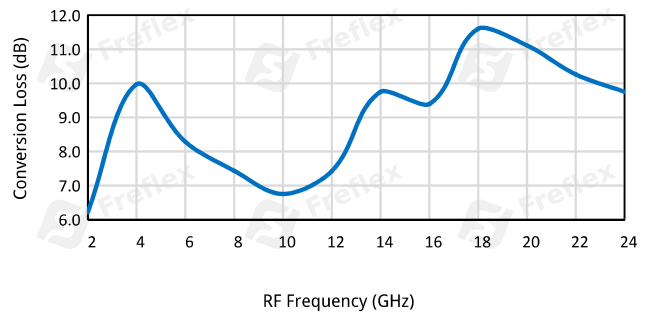


Balanced Mixers

LO VSWR vs. Frequency



Downconversion Loss vs. Frequency



Isolation vs. Frequency

