

## FBM-6000-26000

6~26GHz

### Features:

- \* Low Conversion Loss
- \* High Isolation

### Applications:

- \* Wireless
- \* Transceiver
- \* Laboratory Test
- \* Broadcast



### Electrical

RF Frequency:	6~26GHz
LO Frequency:	6~26GHz
LO Input Power:	+13dBm typ.
IF Frequency:	DC~10GHz
Conversion Loss:	9dB typ.
Isolation (LO, RF):	35dB typ.
Isolation (LO, IF):	35dB typ.
Isolation (RF, IF):	15dB typ.
VSWR:	2.5 typ.

### Absolute Maximum Ratings

RF Input Power:	21dBm
LO Input Power:	21dBm
IF Input Power:	21dBm
IF Current:	2mA

### Mechanical

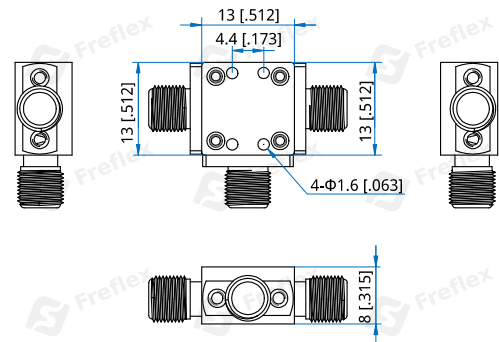
Size*1:	13*13*8mm 0.512*0.512*0.315in
Connectors:	SMA Female
Mounting:	4*Φ1.6mm through-hole

[1] Exclude connectors.

### Environmental

Operating Temperature:	-40~+85°C
Non-operating Temperature:	-55~+85°C

### Outline Drawings



Unit: mm [in]

Tolerance: ±0.2mm [±0.008in]

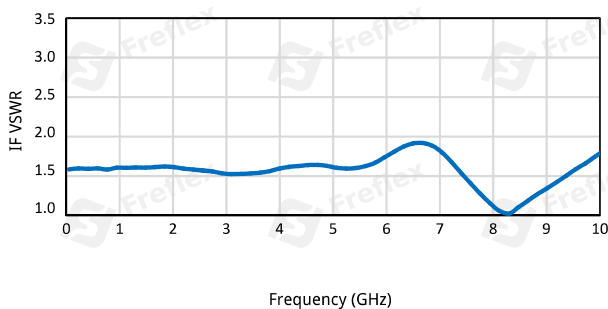
### How To Order

**FBM-6000-26000**

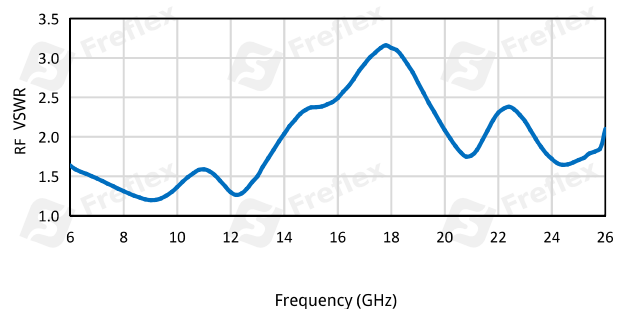
Customization is available upon request.

### Typical Performance Curves

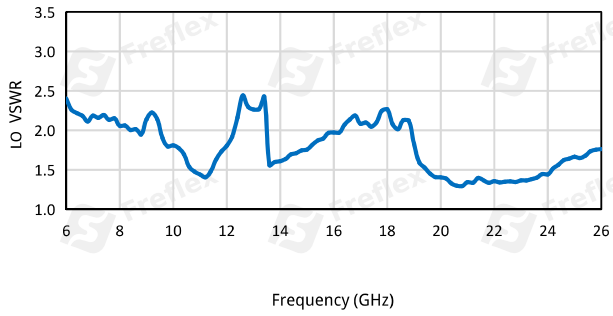
IF VSWR vs. Frequency



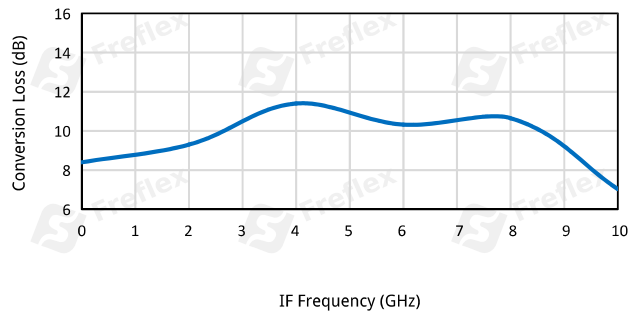
RF VSWR vs. Frequency



LO VSWR vs. Frequency



Downconversion Loss vs. Frequency



Isolation vs. Frequency

