

# FBM-7000-43000

7~43GHz

**Features:**

- \* Low Conversion Loss
- \* High Isolation

**Applications:**

- \* Wireless
- \* Transceiver
- \* Laboratory Test
- \* Broadcast

## Electrical

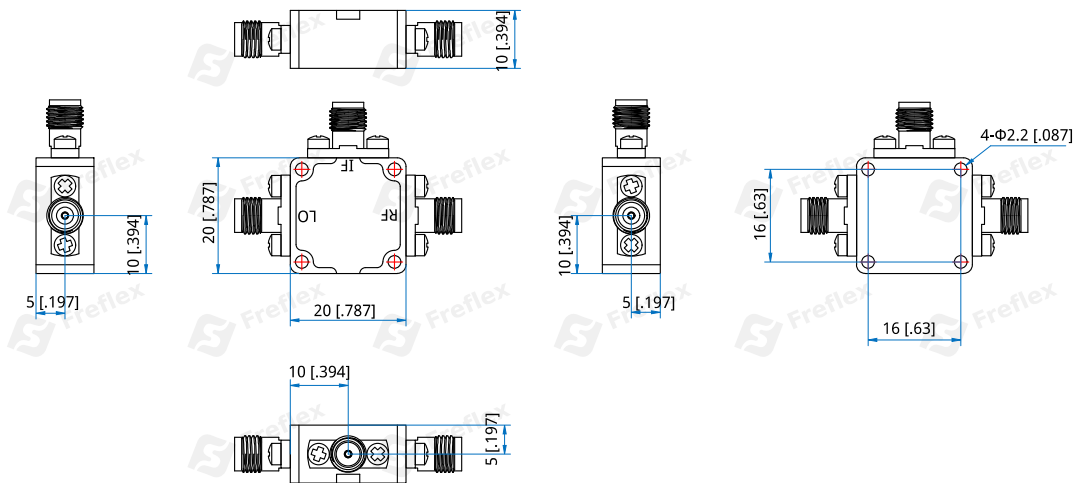
LO/RF Frequency:	7~43GHz
LO Input Power:	+14~+17dBm
IF Frequency:	DC~11GHz
Conversion Loss:	9.5dB typ.
Isolation (LO, RF):	45dB typ.
Isolation (LO, IF):	25dB typ.
Isolation (RF, IF):	25dB typ.
RF Input Power (P1dB):	+11dBm typ.
IIP3:	+21dBm typ.

## Mechanical

Size*1:	20*20*10mm 0.787*0.787*0.394in
RF/LO Connectors:	2.92mm Female
IF Connectors:	SMA Female
Mounting:	4-Φ2.2mm through-hole

[1] Exclude connectors.

## Outline Drawings



Unit: mm [in]

Tolerance: ±0.2mm [±0.008in]

## How To Order

**FBM-7000-43000**

Customization is available upon request.