

FBAL-500K-6000-1

0.5~6000MHz

Features:

- * Broad Band
- * Low Noise

Applications:

- * Wireless
- * Receiver
- * Laboratory Test
- * Radar

Electrical

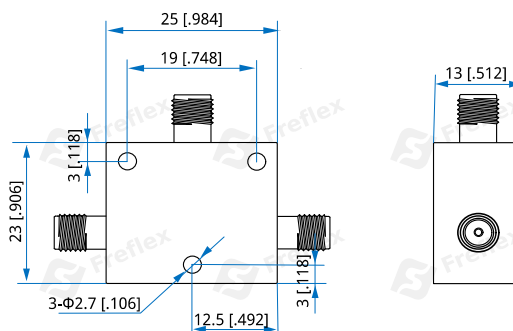
Frequency:	0.5~6000MHz
Nominal Insertion Loss:	6dB typ.
Phase Shift:	180° typ.
Amplitude Balance:	±1.2dB max.
Phase Balance:	±10dB max.
Common Mode Rejection:	20dB min.
Excess Insertion Loss:	2.5dB max.
Isolation:	8dB typ.
VSWR:	1.5 typ.
Impedance:	50Ω
Input Power:	1W max.
Risetime/Falltime:	17ps ²

Mechanical

Size ^{*1} :	25*23*13mm
	0.984*0.906*0.512in
Connectors:	SMA Female
Mounting:	3-Φ2.7mm through hole

[1] Exclude connectors and terminations.

Outline Drawings



Unit: mm [in]

Tolerance: ±0.3mm [±0.012in]

How To Order

FBAL-500K-6000-1

Customization is available upon request.