

FBF-110-170-30

0.11~0.17GHz, 30dB

Features:

- * High Stopband Rejection
- * Small Size

Applications:

- * Telecom
- * Laboratory Test
- * Receivers
- * Instrumentation

Electrical

| | |
|--------------------------|--|
| Passband: | 0.11~0.17GHz |
| Passband Insertion Loss: | 2dB max. |
| Passband Ripple: | 0.7dB max. |
| VSWR: | 1.5 max. |
| Stopband Attenuation: | 30dB@DC~80MHz min. 30dB@200~400MHz min. |
| Impedance: | 50Ω |
| Average Power: | 1W max. |

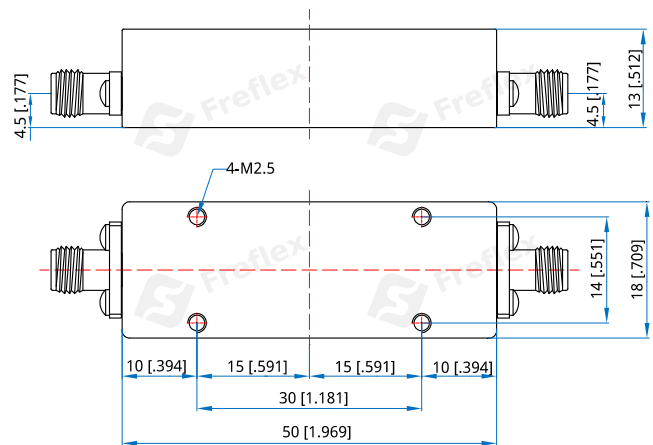
Mechanical

| | |
|----------------------|-----------------------------------|
| Size ^{*1} : | 50*18*13mm 1.969*0.709*0.512in |
| Connectors: | SMA Female |
| Mounting: | 4-M2.5 through hole |

[1] Exclude connectors.

Environmental

| | |
|--------------|-----------|
| Temperature: | -30~+70°C |
|--------------|-----------|

Outline Drawings


Unit: mm [in]

Tolerance: ±0.2mm [±0.008in]

How To Order

FBF-110-170-30

Customization is available upon request.