

# FBF-150-230-45

## 0.15~0.23GHz, 45dB

**Features:**

- \* High Stopband Rejection
- \* Small Size

**Applications:**

- \* Telecom
- \* Laboratory Test
- \* Receivers
- \* Instrumentation

**Electrical**

Passband:	0.15~0.23GHz
Passband Insertion Loss:	2.0dB max.
Passband Ripple:	1.0dB max.
VSWR:	1.5 max.
Stopband Attenuation:	45dB @ DC ~ 120MHz min. 45dB @ 280 ~ 500MHz min.
Impedance:	50Ω
Average Power:	1W max.

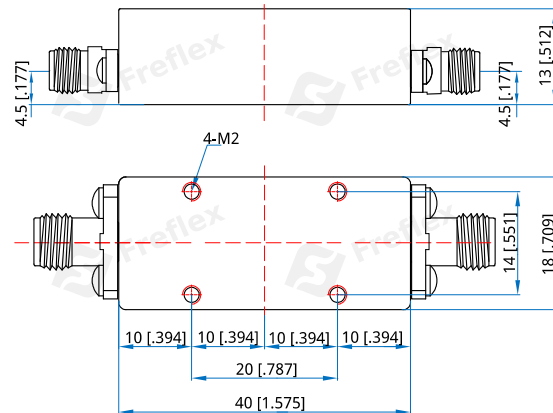
**Mechanical**

Size <sup>*1</sup> :	40*18*13mm 1.575*0.709*0.512in
Weight:	0.025Kg
Connectors:	SMA Female
Mounting:	4-M2 through hole

[1] Exclude connectors.

**Environmental**

Temperature:	-30~+70°C
--------------	-----------

**Outline Drawings**


Unit: mm [in]

Tolerance: ±0.2mm [±0.008in]

**How To Order**

**FBF-150-230-45**

Customization is available upon request.