

FBF-238-242-40

238~242MHz, 40dB

Features:

- * High Stopband Rejection
- * Small Size

Applications:

- * Telecom
- * Laboratory Test
- * Receivers
- * Instrumentation

Electrical

Frequency:	238~242MHz
Insertion Loss:	5dB max.
Stopband Attenuation:	40dB@DC~210MHz min. 40dB@275~2000MHz min.
VSWR:	1.5 max.

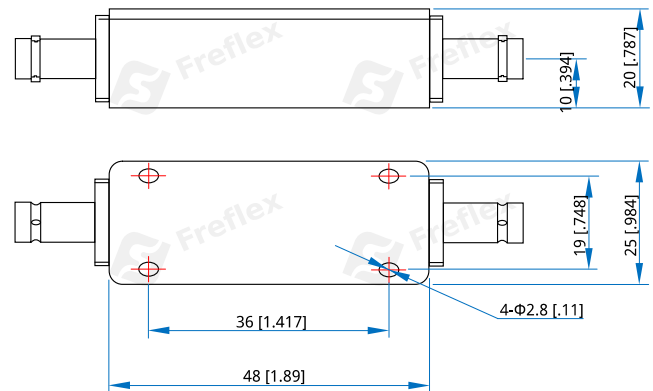
Mechanical

Size ^{*1} :	48*25*20mm 1.89*0.984*0.787in
Connectors:	BNC Female
Mounting:	4-Φ2.8mm through-hole

[1] Exclude connectors.

Environmental

Operating Temperature:	-40~+70°C
Non-operating Temperature:	-55~+85°C

Outline Drawings


Unit: mm [in]

Tolerance: ±0.2mm [±0.008in]

How To Order

FBF-238-242-40

Customization is available upon request.