

# FBF-400-700-50

## 0.4~0.7GHz, 50dB

**Features:**

- \* High Stopband Rejection
- \* Small Size

**Applications:**

- \* Telecom
- \* Laboratory Test
- \* Receivers
- \* Instrumentation

**Electrical**

Frequency:	0.4~0.7GHz
Passband Insertion Loss:	2.5dB max.
Passband Ripple:	1.5dB max.
Stopband Attenuation:	50dB@DC~0.3GHz min. 50dB@0.85~1GHz min.
VSWR:	1.5 max.
Average Power:	1W max.
Impedance:	50Ω

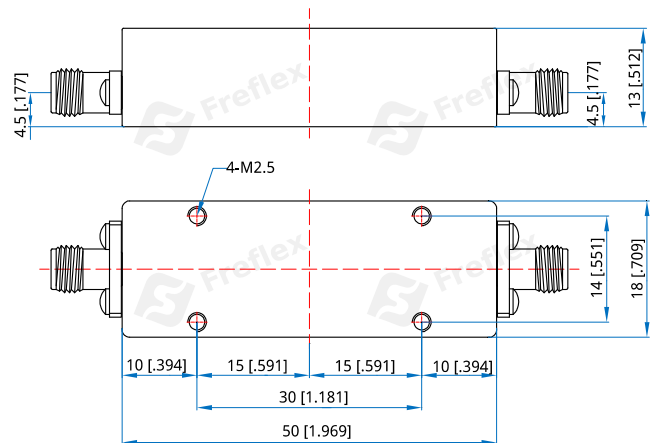
**Mechanical**

Size <sup>*1</sup> :	50*18*13mm 1.969*0.709*0.512in
RF Connectors:	2.92mm female
Mounting:	4-M2.5 through-hole

[1] Exclude connectors.

**Environmental**

Temperature:	-30~+70°C
--------------	-----------

**Outline Drawings**


Unit: mm [in]

Tolerance: ±0.2mm [±0.008in]

**How To Order**

**FBF-400-700-50**

Customization is available upon request.