

FBF-800-1200-45

0.8~1.2GHz, 45dBc

Features:

- * High Stopband Rejection
- * Small Size

Applications:

- * Telecom
- * Laboratory Test
- * Receivers
- * Instrumentation

Electrical

Frequency:	0.8~1.2GHz
1dB Bandwidth:	400MHz min.
Passband Insertion Loss:	1dB max.
Stopband Attenuation:	45dBc@550MHz min. 45dBc@1450MHz min.
VSWR:	1.8 max.
Average Power:	40W

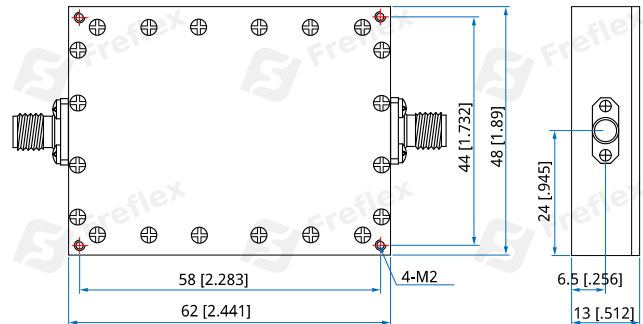
Mechanical

Size*1:	62*48*13mm 2.441*1.89*0.512in
RF Connectors:	SMA Female
Mounting:	4-M2 through-hole

[1] Exclude connectors.

Environmental

Operating Temperature:	-40~+70°C
Non-operating Temperature:	-55~+85°C

Outline Drawings


Unit: mm [in]

Tolerance: ±0.2mm [±0.008in]

How To Order

FBF-800-1200-45

Customization is available upon request.