

# FBT-18000-40000

18~40GHz

Features:  
 \* Broadband  
 \* Small Size

Applications:  
 \* Telecom  
 \* Satcom  
 \* Laboratory Test  
 \* Instrumentation

## Electrical

Frequency:	18~40GHz
Insertion Loss:	2dB max.
VSWR:	2 max.
Voltage:	+10V DC
Current:	0.3A

## Mechanical

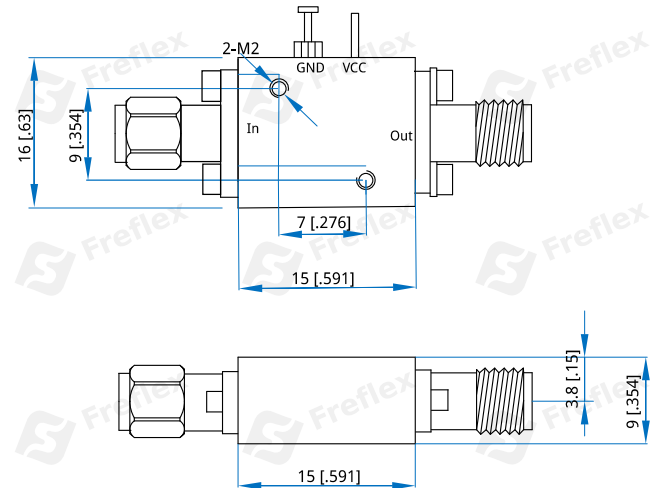
Size <sup>*1</sup> :	15*16*9mm 0.591*0.63*0.354in
RF In Connector:	2.92mm male
RF Out Connector:	2.92mm female
Power Supply & Control Interface:	Solder Pin & Terminal Post
RF Input Connector:	DC & RF
Mounting:	2-M2 through-hole

[1] Exclude connectors.

## Environmental

Operating Temperature:	-40~+70°C
Non-operating Temperature:	-55~+85°C

## Outline Drawings



Unit: mm [in]

Tolerance: ±0.2mm [±0.008in]

## How To Order

**FBT-18000-40000**

Customization is available upon request.