

## FDRHA-1000-2000-15-N

1~2GHz, 15dB, N

Features:  
\* Broadband

Applications:  
\* Wireless  
\* Transceiver  
\* Laboratory Test  
\* Broadcast

### Electrical

Frequency: 1~2GHz  
Gain: 15dB  
VSWR: 1.5 max.

### Mechanical

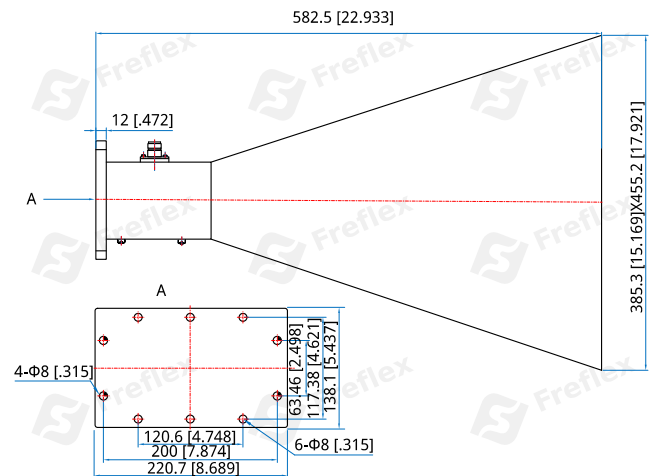
Size: 582.5\*220.7\*138.1mm  
22.933\*8.689\*5.437in  
Material: Aluminium  
Connectors: N Female

### How To Order

**FDRHA-1000-2000-15-N**

Customization is available upon request.

### Outline Drawings



Unit: mm [in]

Tolerance: ±0.2mm [±0.008in]