

FDRHA-1000-3000-10-7-P

1~3GHz, 10dBi, 7/16 DIN (L29)

Features:
* Broadband

Applications:
* Wireless
* Transceiver
* Laboratory Test
* Broadcast

Electrical

Frequency:	1~3GHz
Gain:	10dBi min. @1GHz 15dBi min. @2GHz 18dBi min. @3GHz
VSWR:	2.5 max.
Handling Power:	1000W min.
Polarization:	Vertical linear polarization

Mechanical

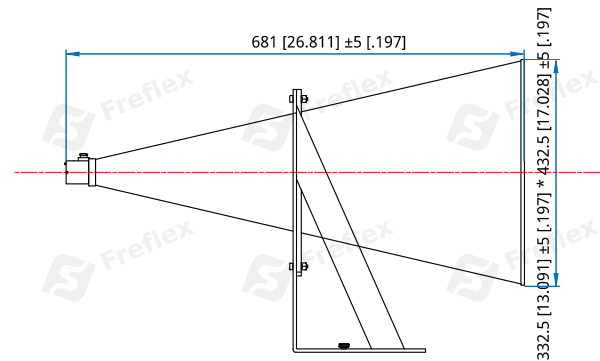
Material:	Aluminium
Finish:	Conductive oxidation
Connectors:	7/16 DIN (L29) Female

How To Order

FDRHA-1000-3000-10-7-P

Customization is available upon request.

Outline Drawings



Unit: mm [in]
Tolerance: ±0.8mm [±0.31in]