

## FDRHA-800-4000-9.64-N

0.8~4GHz, 9.64dB, N

Features:  
\* Broadband

Applications:  
\* Wireless  
\* Transceiver  
\* Laboratory Test  
\* Broadcast

### Electrical

Frequency: 0.8~4GHz  
 VSWR: 1.5 max.  
 Gain: 9.64dB  
 H Plane Beam Width: 21.80°~103.96°  
 E Plane Beam Width: 27.75°~129.20°

### Mechanical

Connectors: N Female

### Environmental

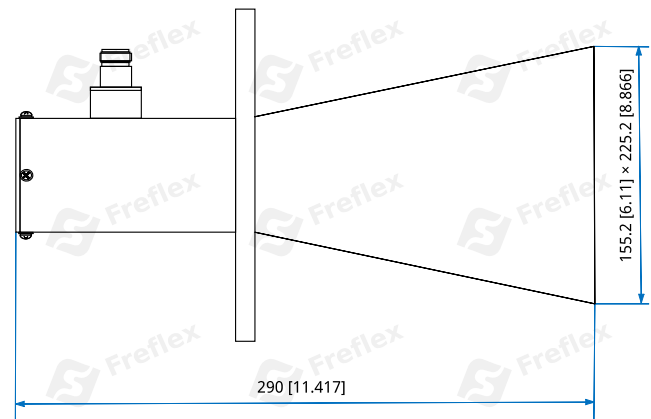
Non-operating Temperature: -10~+40°C

### How To Order

[FDRHA-800-4000-9.64-N](#)

Customization is available upon request.

### Outline Drawings



Unit: mm [in]

Tolerance: ±0.2mm [±0.008in]