

FC4-MB-B1200-1

4.3-10 Male

Features:
* Low VSWR

Applications:
* Wireless
* Radar
* Instruments
* Electronics

Electrical

Frequency:	DC~6GHz
VSWR:	1.3 max.
Impedance of Dielectric:	5000MΩ min.
Dielectric Withstanding Voltage:	1000V
Impedance:	50Ω

Mechanical

RF Connector:	4.3-10 male
Mating Cable:	FB1200
Mating Life Cycle:	500 cycles
Inner Conductor:	Silver plated brass
Dielectric:	PTFE
Outer Conductor:	Ternary plated brass

Environmental

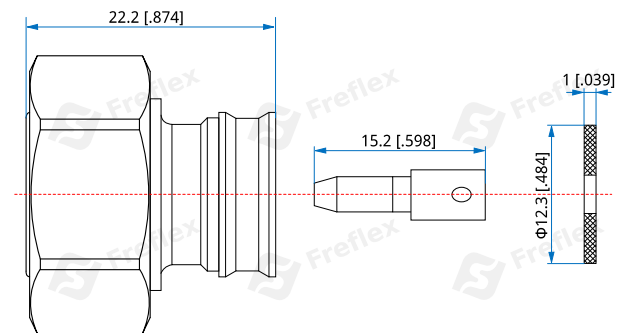
Temperature:	-55~+85°C
--------------	-----------

How To Order

FC4-MB-B1200-1

Customization is available upon request.

Outline Drawings



Unit: mm [in]

Tolerance: ±0.2mm [±0.008in]