

# FC4-MCB-R600-1

## 4.3-10 Male

Features:  
\* Low VSWR

Applications:  
\* Wireless  
\* Radar  
\* Instruments  
\* Electronics

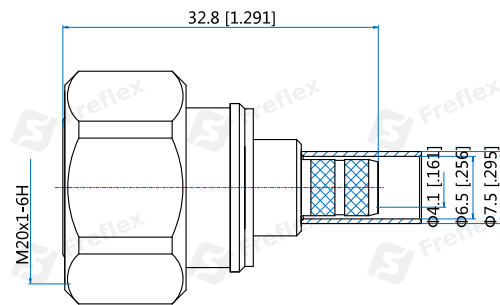
### Electrical

Frequency:	DC~6GHz
VSWR:	1.2 max. @0~3GHz 1.3 max. @3~6GHz
Impedance of Dielectric:	5000MΩ min.
Working Voltage:	1000V rms
Impedance:	50Ω

### Mechanical

RF Connector:	4.3-10 male
Mating Cable:	FR600
Outer Conductor:	Ternary alloy plated brass
Inner Conductor:	Silver plated phosphor bronze
Dielectric:	PTFE

### Outline Drawings



Unit: mm [in]  
Tolerance: ±1mm [±0.039in]

### How To Order

**FC4-MCB-R600-1**

Customization is available upon request.