

FCK-FRG-A360-1

2.92mm Female Right Angle

Features:
* Low VSWR

Applications:
* Wireless
* Radar
* Instruments
* Electronics

Electrical

Frequency:	DC~40GHz
VSWR:	1.35 max.
Impedance of Dielectric:	5000MΩ min.
Voltage Withstand:	750V DC min.
Impedance:	50Ω

Mechanical

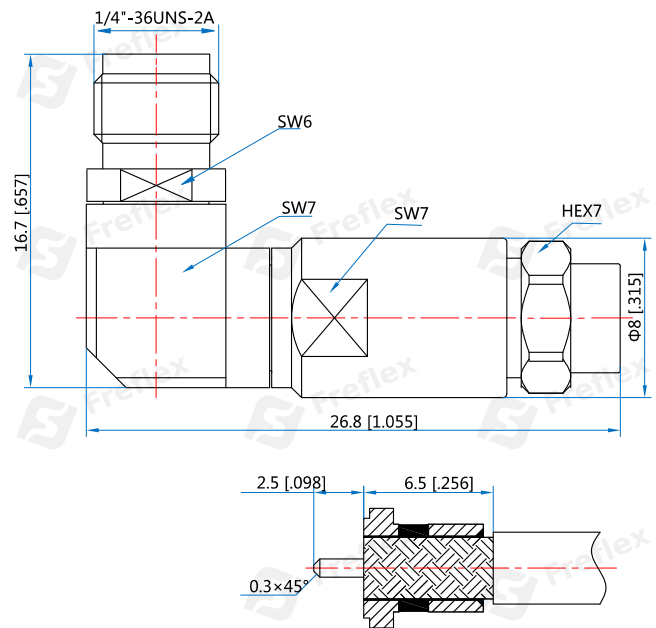
RF Connector:	2.92mm female right angle
Mating Cable:	FA360
Outer Conductor:	Passivated stainless steel
Dielectric:	PTFE/PEI
Inner Conductor:	Gold plated brass/Gold plated beryllium copper

How To Order

FCK-FRG-A360-1

Customization is available upon request.

Outline Drawings



Unit: mm [in]

Tolerance: ±0.5mm [±0.02in]