

# FCQN-MG-A830-1

## QN Male

Features:  
\* Low VSWR

Applications:  
\* Wireless  
\* Radar  
\* Instruments  
\* Electronics

### Electrical

Frequency:	DC~10GHz
VSWR:	1.3 max.
Impedance of Dielectric:	5000MΩ min.
Dielectric Withstanding Voltage:	1000V
Impedance:	50Ω

### Mechanical

RF Connector:	QN male
Mating Cable:	FA830
Mating Life Cycle:	500 cycles
Inner Conductor:	Gold plated brass
Dielectric:	PTFE
Outer Conductor:	Passivated stainless steel

### Environmental

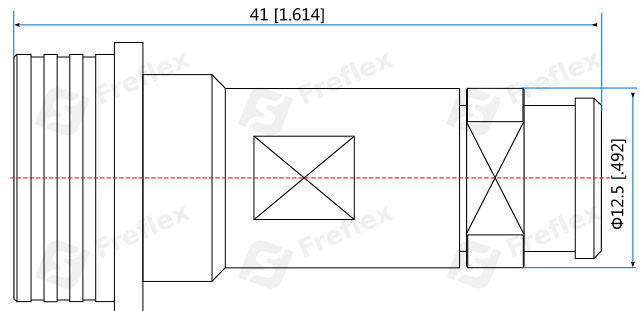
Temperature:	-55~+165°C
--------------	------------

### How To Order

**FCQN-MG-A830-1**

Customization is available upon request.

### Outline Drawings



Unit: mm [in]

Tolerance: ±0.2mm [±0.008in]