

FCS-FG-Z800-1

SMA Female

Features:
* Low VSWR

Applications:
* Wireless
* Radar
* Instruments
* Electronics

Electrical

Frequency: DC~18GHz
VSWR: 1.3 max.
Impedance: 50Ω

Mechanical

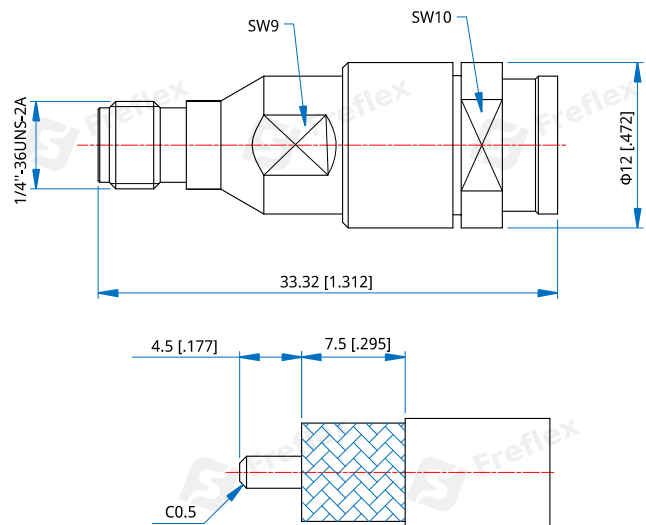
RF Connector: SMA female
Mating Cable: QZ800
Outer Conductor: Passivated stainless steel
Inner Conductor: Gold plated beryllium copper

How To Order

FCS-FG-Z800-1

Customization is available upon request.

Outline Drawings



Unit: mm [in]
Tolerance: ±0.5mm [±0.02in]