

FCS-FRG-086-1

SMA Female Right Angle

Features:
* Low VSWR

Applications:
* Wireless
* Radar
* Instruments
* Electronics

Electrical

Frequency: DC~26.5GHz
VSWR: 1.4 max.

Mechanical

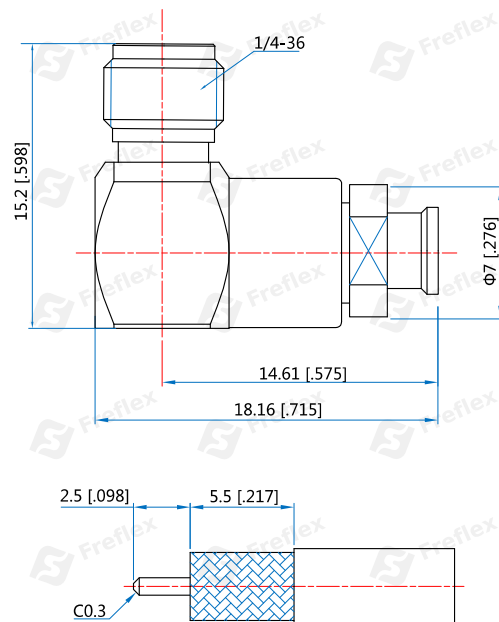
RF Connector: SMA female right angle
Mating Cable: FH280, FE086, FD086, RG316
Outer Conductor: Passivated stainless steel
Inner Conductor: Gold plated beryllium copper

How To Order

FCS-FRG-086-1

Customization is available upon request.

Outline Drawings



Unit: mm [in]

Tolerance: $\pm 0.5\text{mm}$ [$\pm 0.02\text{in}$]