

FCS-MRG-A220-1

SMA Male Right Angle

Features:
* Low VSWR

Applications:
* Wireless
* Radar
* Instruments
* Electronics

Electrical

Frequency:	DC~26.5GHz
VSWR:	1.35 max.
Impedance of Dielectric:	5000MΩ min.
Voltage Withstand:	750V DC min.
Impedance:	50Ω

Mechanical

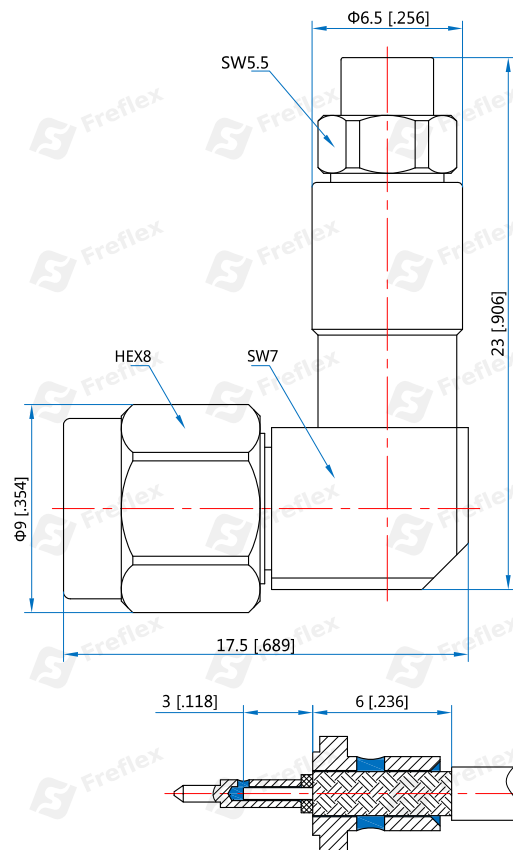
RF Connector:	SMA male right angle
Mating Cable:	FA220
Outer Conductor:	Stainless steel

How To Order

FCS-MRG-A220-1

Customization is available upon request.

Outline Drawings



Unit: mm [in]

Tolerance: ± 0.5 mm [± 0.02 in]