

FA12

1.0mm to 2.4mm

Features:
* Low VSWR

Applications:
* Wireless
* Transmitter
* Laboratory Test
* Radar

Electrical

Frequency:	DC~50GHz
VSWR:	1.25 max.
Insertion Loss:	0.08dB max.
Dielectric Withstanding Voltage:	200V RMS
Impedance of Dielectric:	5000MΩ min.
Impedance of Contact (Center):	4mΩ max.
Impedance of Contact (Outer):	2.5mΩ max.
Impedance:	50Ω

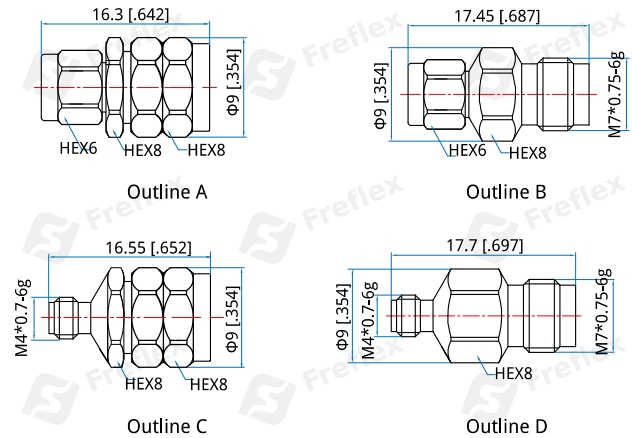
Mechanical

RF Connectors:	1.0mm 2.4mm
Mating Life Cycle:	500 cycles
Outer Conductor:	Passivated stainless steel
Dielectric:	PEI
Inner Conductor:	Gold plated beryllium copper

Environmental

Temperature:	-55~+85°C
--------------	-----------

Outline Drawings



Unit: mm [in]
Tolerance: $\pm 0.2\text{mm}$ [$\pm 0.008\text{in}$]

How To Order

- FA12-MM** - 1.0mm(m) to 2.4mm(m), Outline A
- FA12-MF** - 1.0mm(m) to 2.4mm(f), Outline B
- FA12-FM** - 1.0mm(f) to 2.4mm(m), Outline C
- FA12-FF** - 1.0mm(f) to 2.4mm(f), Outline D

Customization is available upon request.