

## FA2P 2.4mm to SMP

Features:  
\* Low VSWR

Applications:  
\* Wireless  
\* Transmitter  
\* Laboratory Test  
\* Radar



### Electrical

Frequency: DC~40GHz  
 VSWR: 1.35 max.  
 1.5 max.  
 (Outline A, B)  
 Impedance: 50Ω

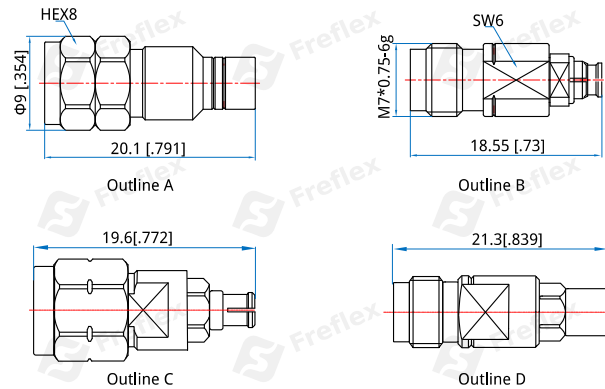
### Mechanical

RF Connectors: 2.4mm  
 SMP  
 Mating Life Cycle: 500 cycles  
 Outer Conductor: Passivated Stainless Steel or  
 Gold Plated Beryllium Copper  
 Dielectric: PEI & PTFE  
 Inner Conductor: Gold Plated Beryllium Copper

### Environmental

Temperature: -50~+85°C  
 -55~+165°C  
 (Outline C, D)

### Outline Drawings



Unit: mm [in]  
 Tolerance: ±0.2mm [±0.008in]

### How To Order

- FA2P-MM** - 2.4mm (m) to SMP (m), Outline A
- FA2P-FF** - 2.4mm (f) to SMP (f), Outline B
- FA2P-MF** - 2.4mm (m) to SMP (f), Outline C
- FA2P-FM** - 2.4mm (f) to SMP (m), Outline D

Customization is available upon request.