

## FA44 4.3-10 to 4.3-10

Features:  
\* Low VSWR

Applications:  
\* Wireless  
\* Transmitter  
\* Laboratory Test  
\* Radar

### Electrical

Frequency:	DC~6GHz
VSWR:	1.2 max. 1.1 max. @DC~3GHz (Outline E) 1.2 max. @3~6GHz (Outline E)
Insertion Loss:	0.1dB max. (Outline A, C, D)
Inter-modulation 3rd:	-155dBc max. (Outline A, C, D) -160dBc max. (Outline B)
Dielectric Withstanding Voltage:	1500V RMS, 50Hz, at sea level, min.
Working Voltage:	1000V RMS, 50Hz, at sea level, max.
Impedance of Dielectric:	5000MΩ min.
Impedance of Contact (Center):	1mΩ max.
Impedance of Contact (Outer):	1mΩ max.
Impedance:	50Ω

### Mechanical

RF Connectors:	4.3-10
Mating Life Cycle:	500 cycles min.
Outer Conductor:	Ternary alloy plated brass Nickel plated brass (Outline E)
Dielectric:	PTFE
Inner Conductor:	Silver plated brass

### Environmental

Temperature:	-45~+85°C -45~+125°C (Outline E)
--------------	-------------------------------------

### How To Order

**FA44-MM** - 4.3-10 (m) to 4.3-10 (m), Outline A

**FA44-MF** - 4.3-10 (m) to 4.3-10 (f), Outline B

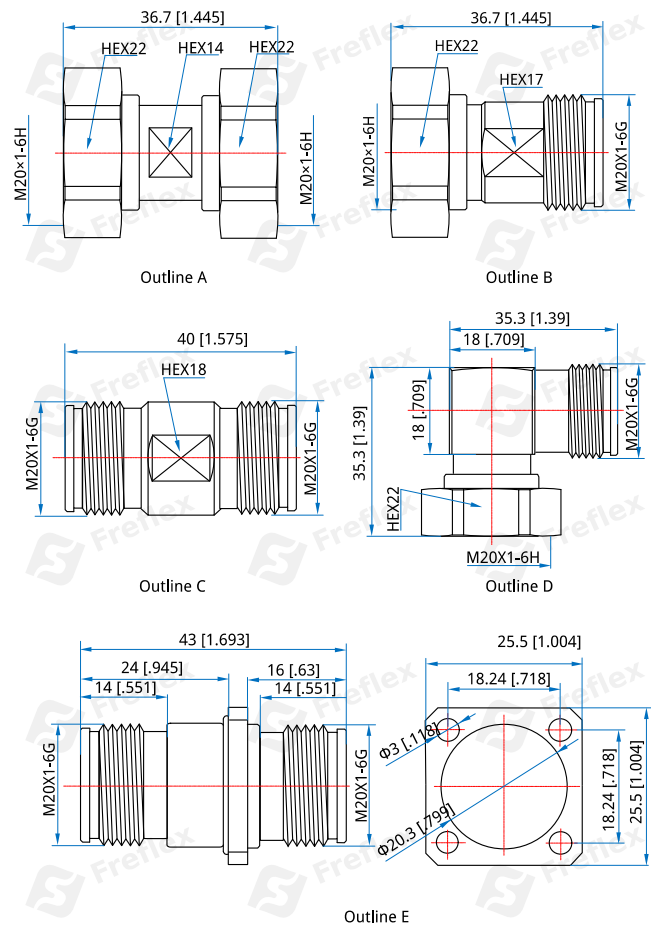
**FA44-FF** - 4.3-10 (f) to 4.3-10 (f), Outline C

**FA44R-MF** - 4.3-10 (m) to 4.3-10 (f) right angle, Outline D

**FA44L-FF** - 4.3-10 (f) to 4.3-10 (f) flange mount, Outline E

Customization is available upon request.

### Outline Drawings



Unit: mm [in]

Tolerance: ±0.2mm [±0.008in]