

# FA7Z

## 7/16 DIN (L29) to UHF (SL16)

Features:  
\* Low VSWR

Applications:  
\* Wireless  
\* Transmitter  
\* Laboratory Test  
\* Radar

### Electrical

Frequency:	DC~3GHz
VSWR:	1.2@DC~3GHz max.
Dielectric Withstanding Voltage:	2500V RMS, 50Hz, at sea level, min.
Working Voltage:	2700V RMS, 50Hz, at sea level, max.
Impedance of Dielectric:	5000MΩ min.
Impedance of Contact (Center):	1.5mΩ max. (7/16 DIN (L29)) 5mΩ max. (UHF (SL16))
Impedance of Contact (Outer):	0.4mΩ max. (7/16 DIN (L29)) 5mΩ max. (UHF (SL16))
Impedance:	50Ω

### Mechanical

RF Connectors:	7/16 DIN (L29) UHF (SL16)
Mating Life Cycle:	500 cycles min.
ROHS Compliant:	Full ROHS compliance
Outer Conductor:	Nickel plated brass
Dielectric:	PTFE
Inner Conductor:	Silver plated brass

### Environmental

Temperature: -45~+125°C

### How To Order

**FA7Z-MM** - 7/16 DIN (L29) (m) to UHF (SL16) (m), Outline A

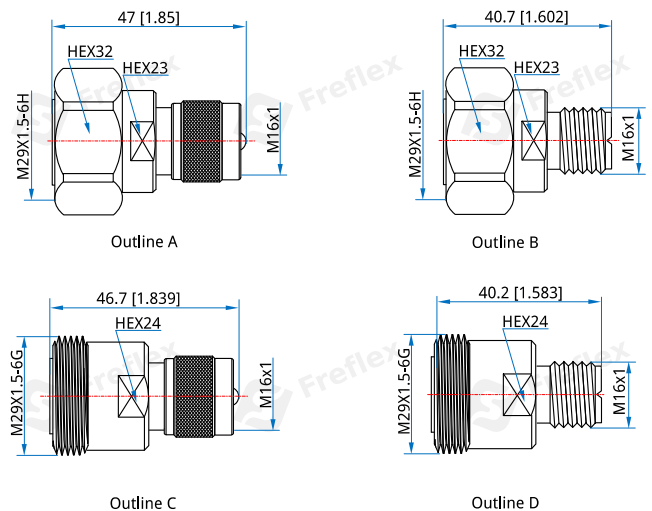
**FA7Z-MF** - 7/16 DIN (L29) (m) to UHF (SL16) (f), Outline B

**FA7Z-FM** - 7/16 DIN (L29) (f) to UHF (SL16) (m), Outline C

**FA7Z-FF** - 7/16 DIN (L29) (f) to UHF (SL16) (f), Outline D

Customization is available upon request.

### Outline Drawings



Unit: mm [in]

Tolerance: ±0.2mm [±0.008in]