

FA99

7/8" (IF45) to 7/8" (IF45)

Features:
* Low VSWR

Applications:
* Wireless
* Transmitter
* Laboratory Test
* Radar

Electrical

Frequency:	DC~5GHz
VSWR:	1.07@DC~1000MHz max.
Dielectric Withstanding Voltage:	6000V RMS, 50Hz, at sea level, min.
Impedance of Dielectric:	5000MΩ min.
Average Power:	2.3KW@900MHz
Peak Power:	10KW max.
Impedance:	50Ω

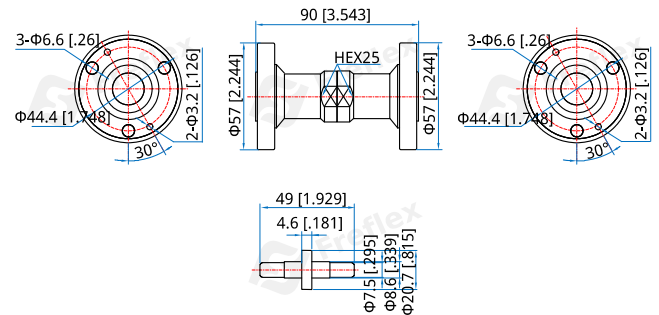
Mechanical

RF Connectors:	7/8" (IF45)
Mating Life Cycle:	100 cycles min.
ROHS Compliant:	Full ROHS compliance
Outer Conductor:	Nickel plated brass
Dielectric:	PTFE
Inner Conductor:	Silver plated brass
Waterproof:	With O-Ring

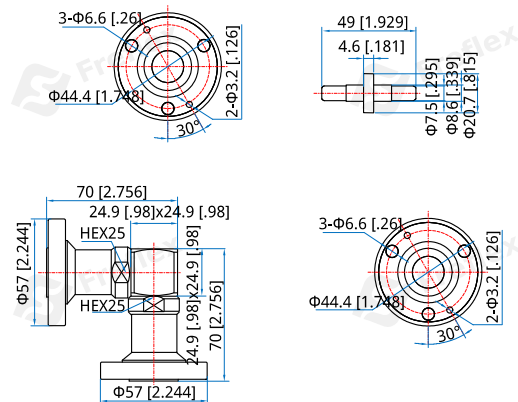
Environmental

Temperature:	-55~+85°C
--------------	-----------

Outline Drawings



Outline A



Outline B

Unit: mm [in] Tolerance: ±0.2mm [±0.008in]

How To Order

FA99 - 7/8" (IF45) to 7/8" (IF45), Outline A

FA99R - 7/8" (IF45) to 7/8" (IF45) right angle, Outline B

Customization is available upon request.