

## FA9Y 7/8" (IF45) to HN

Features:  
\* Low VSWR

Applications:  
\* Wireless  
\* Transmitter  
\* Laboratory Test  
\* Radar

### Electrical

Frequency:	DC~5GHz
VSWR:	1.07@DC~1000MHz max.
Dielectric Withstanding Voltage:	6000V RMS, 50Hz, at sea level, min.
Impedance of Dielectric:	5000MΩ min.
Average Power:	2.3KW@900MHz
Peak Power:	10KW max.
Impedance:	50Ω

### Mechanical

RF Connectors:	7/8" (IF45) HN
Mating Life Cycle:	100 cycles min.
ROHS Compliant:	Full ROHS compliance
Outer Conductor:	Nickel plated brass
Dielectric:	PTFE
Inner Conductor:	Silver plated brass
Waterproof:	With O-Ring

### Environmental

Temperature: -55~+85°C

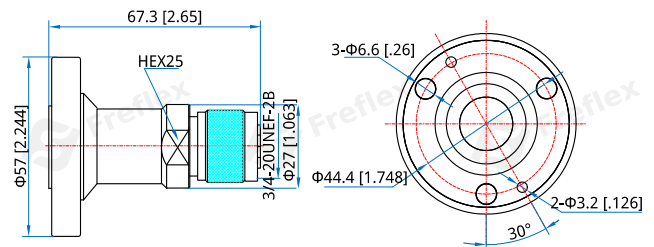
### How To Order

**FA9Y-M** - 7/8" (IF45) to HN (m), Outline A

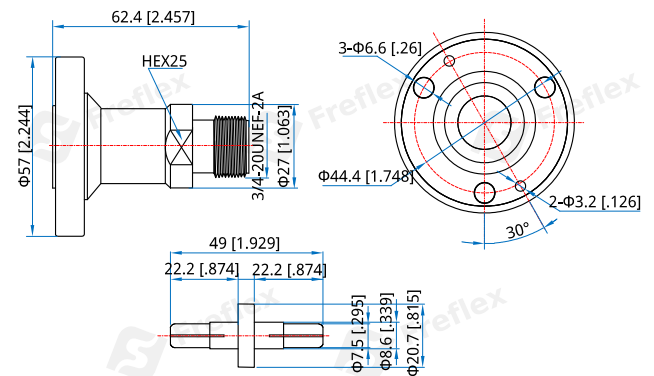
**FA9Y-F** - 7/8" (IF45) to HN (f), Outline B

Customization is available upon request.

### Outline Drawings



Outline A



Outline B

Unit: mm [in]

Tolerance: ±0.2mm [±0.008in]