

FA9Z

7/8" (IF45) to UHF (SL16)

Features:
* Low VSWR

Applications:
* Wireless
* Transmitter
* Laboratory Test
* Radar

Electrical

Frequency:	DC~3GHz
VSWR:	1.07@DC~1000MHz max.
Dielectric Withstanding Voltage:	6000V RMS, 50Hz, at sea level, min.
Impedance of Dielectric:	5000MΩ min.
Average Power:	2.3KW@900MHz
Peak Power:	10KW max.
Impedance:	50Ω

Mechanical

RF Connectors:	7/8" (IF45) UHF (SL16)
Mating Life Cycle:	100 cycles min.
ROHS Compliant:	Full ROHS compliance
Outer Conductor:	Nickel plated brass
Dielectric:	PTFE
Inner Conductor:	Silver plated brass
Waterproof:	With O-Ring

Environmental

Temperature: -55~+85°C

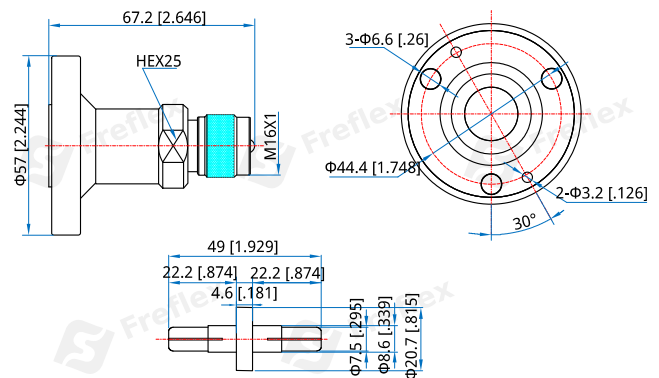
How To Order

FA9Z-M - 7/8" (IF45) to UHF (SL16) (m), Outline A

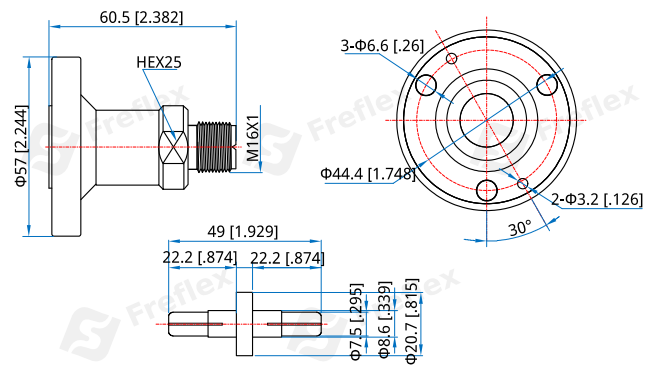
FA9Z-F - 7/8" (IF45) to UHF (SL16) (f), Outline B

Customization is available upon request.

Outline Drawings



Outline A



Outline B

Unit: mm [in]

Tolerance: ±0.2mm [±0.008in]