

FAA1A1

1-5/8" (IF70) to 1-5/8" (IF70)

Features:
* Low VSWR

Applications:
* Wireless
* Transmitter
* Laboratory Test
* Radar

Electrical

Frequency:	DC~3GHz
VSWR:	1.07@DC~1000MHz max.
Dielectric Withstanding Voltage:	6000V RMS, 50Hz, at sea level, min.
Impedance of Dielectric:	5000MΩ min.
Average Power:	3.4KW@900MHz
Peak Power:	20KW max.
Impedance:	50Ω

Mechanical

RF Connectors:	1-5/8" (IF70)
Mating Life Cycle:	100 cycles min.
ROHS Compliant:	Full ROHS compliance
Outer Conductor:	Nickel plated brass
Dielectric:	PTFE
Inner Conductor:	Silver plated brass
Waterproof:	With O-Ring

Environmental

Temperature: -55~+85°C

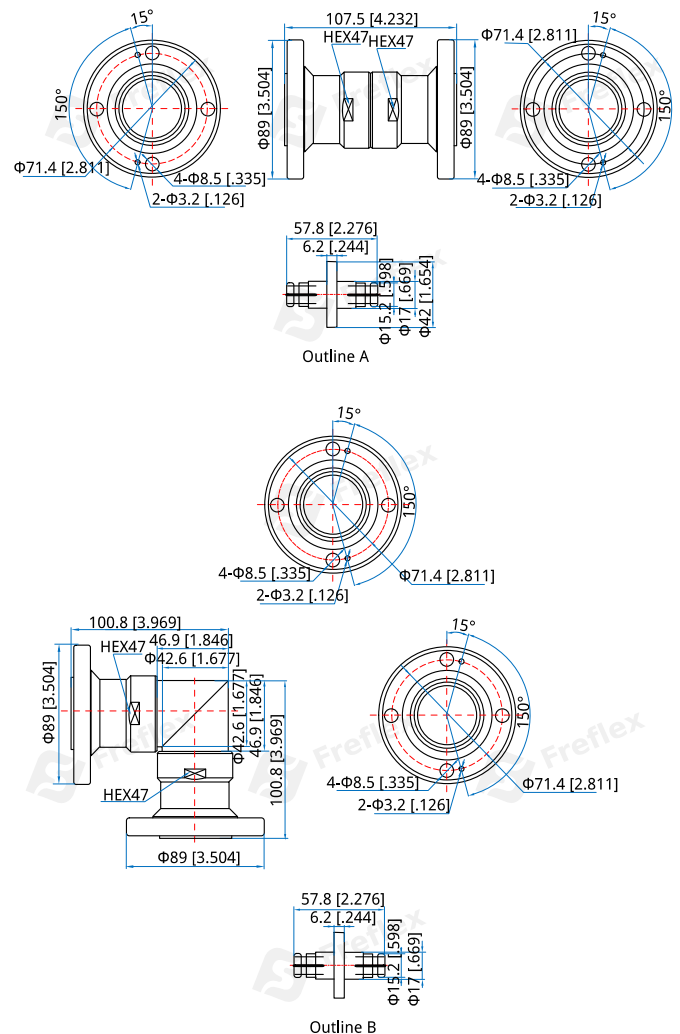
How To Order

FAA1A1 - 1-5/8" (IF70) to 1-5/8" (IF70), Outline A

FAA1A1R - 1-5/8" (IF70) to 1-5/8" (IF70) right angle, Outline B

Customization is available upon request.

Outline Drawings



Unit: mm [in]

Tolerance: $\pm 0.2\text{mm}$ [$\pm 0.008\text{in}$]