

FAAA SSMA to SSMA

Features:
* Low VSWR

Applications:
* Wireless
* Transmitter
* Laboratory Test
* Radar

Electrical

Frequency:	DC~26.5GHz
VSWR:	1.25 max. 1.2 max. (flange mount)
Voltage Withstand:	1000V DC
Impedance of Dielectric:	5000MΩ min.
Impedance:	50Ω

Mechanical

RF Connectors:	SSMA
Mating Life Cycle:	500 cycles
Outer Conductor:	Passivated stainless steel
Dielectric:	PTFE
Inner Conductor:	Gold plated beryllium copper

Environmental

Temperature: -55~+165°C

How To Order

FAAA-MM - SSMA(m) to SSMA(m), Outline A

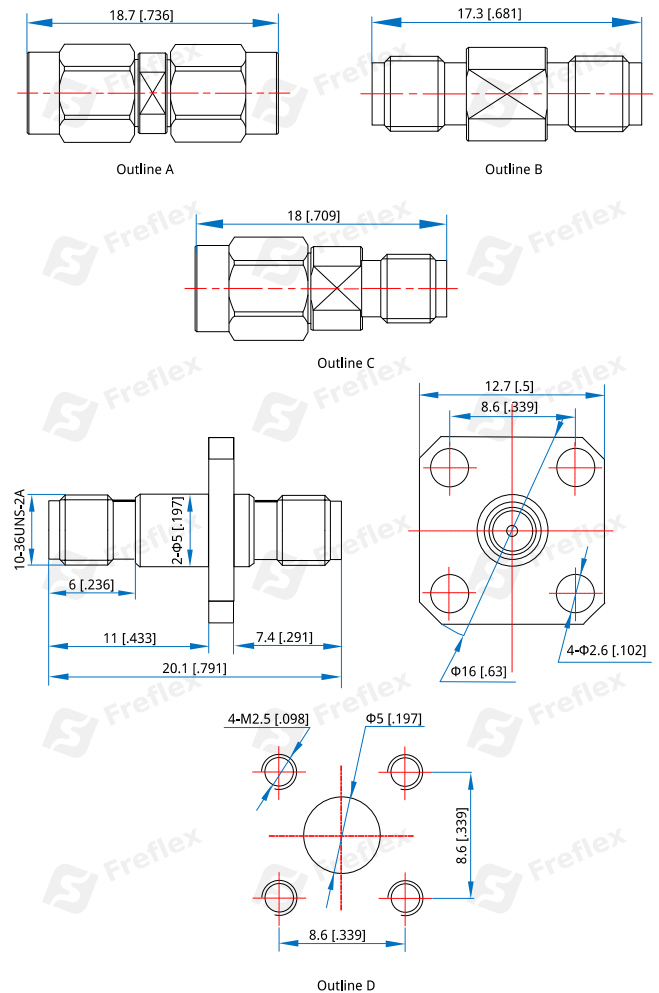
FAAA-FF - SSMA(f) to SSMA(f), Outline B

FAAA-MF - SSMA(m) to SSMA(f), Outline C

FAAAL-FF - SSMA(f) to SSMA(f), Flange mount, Outline D

Customization is available upon request.

Outline Drawings



Unit: mm [in]

Tolerance: ±0.2mm [±0.008in]