

# FABF

## BNC to F Inch Thread

Features:  
\* Low VSWR

Applications:  
\* Wireless  
\* Transmitter  
\* Laboratory Test  
\* Radar

### Electrical

Frequency:	DC~1GHz
Voltage Withstand:	1000V RMS, 50Hz, at sea level min.
Impedance of Contact (Center):	1.5mΩ max. (BNC)
Impedance of Contact (Outer):	0.2mΩ max. (BNC)
Impedance:	50Ω (BNC) 75Ω (F Inch Thread)

### Mechanical

RF Connectors:	BNC F Inch Thread
Mating Life Cycle:	500 cycles min.
Outer Conductor:	Nickel plated brass
Dielectric:	PTFE
Inner Conductor:	Gold plated brass

### Environmental

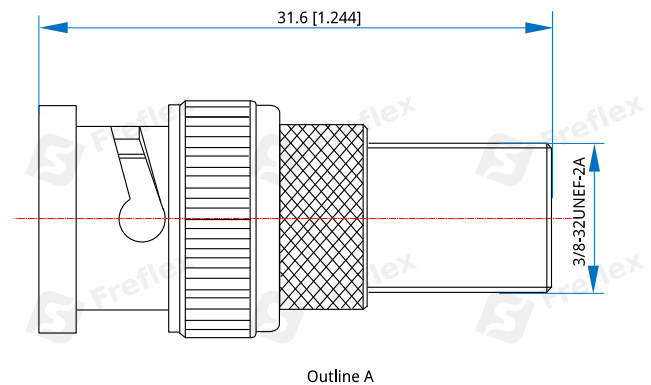
Temperature:	-45~+125°C
--------------	------------

### How To Order

**FABF-MF** - BNC(m) to F Inch Thread(f), Outline A

Customization is available upon request.

### Outline Drawings



Unit: mm [in]  
Tolerance: ±0.2mm [±0.008in]