

## FADD SMB to SMB

Features:  
\* Low VSWR

Applications:  
\* Wireless  
\* Transmitter  
\* Laboratory Test  
\* Radar



### Electrical

Frequency:	DC~4GHz DC~6GHz (Outline D)
VSWR:	1.15 max. 1.2 max.(Outline D)
Impedance:	50Ω

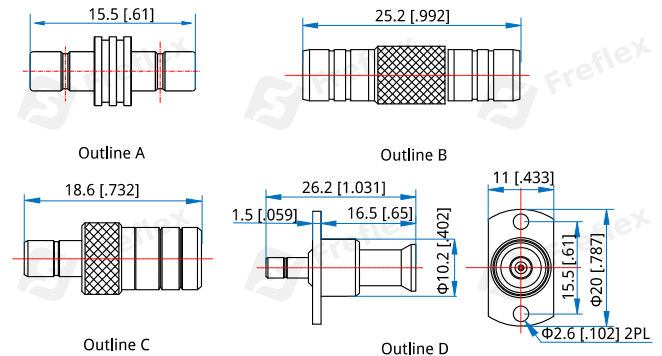
### Mechanical

RF Connectors:	SMB
Mating Life Cycle:	500 cycles
Outer Conductor:	Gold Plated Brass Passivated Stainless Steel (Outline D)
Dielectric:	PTFE
Inner Conductor:	Gold Plated Beryllium Copper

### Environmental

Temperature:	-55~+165°C
--------------	------------

### Outline Drawings



Unit: mm [in]  
Tolerance: ±0.2mm [±0.008in]

### How To Order

**FADD-MM** - SMB(m) to SMB(m), Outline A

**FADD-FF** - SMB(f) to SMB(f), Outline B

**FADD-MF** - SMB(m) to SMB(f), Outline c

**FADDL-MF** - SMB(m) to SMB(f), Flange mount, Outline D

Customization is available upon request.