

## FAGG SSMP to SSMP

Features:  
\* Low VSWR

Applications:  
\* Wireless  
\* Transmitter  
\* Laboratory Test  
\* Radar



### Electrical

Frequency:	DC~18GHz DC~30GHz (Outline C) DC~40GHz (Outline B)
VSWR:	1.3 max. 1.35 max. (Outline C)
Impedance:	50Ω

### Mechanical

RF Connectors:	SSMP
Mating Life Cycle:	500 cycles
Outer Conductor:	Gold plated beryllium copper
Dielectric:	PTFE
Inner Conductor:	Gold plated beryllium copper

### Environmental

Temperature:	-55~+165°C -55~+125°C (Outline B, C)
--------------	---

### How To Order

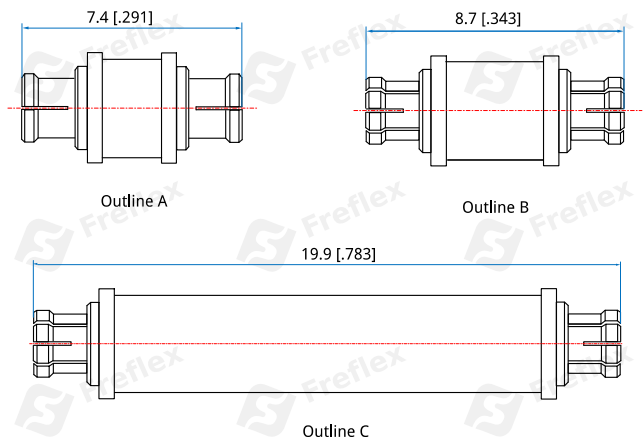
**FAGG-FF** - SSMP(f) to SSMP(f), Outline A

**FAGG-FF-1** - SSMP(f) to SSMP(f), Outline B

**FAGG-FF-2** - SSMP(f) to SSMP(f), Outline C

Customization is available upon request.

### Outline Drawings



Unit: mm [in]

Tolerance: ±0.2mm [±0.008in]