

## FANY N to HN

Features:  
\* Low VSWR

Applications:  
\* Wireless  
\* Transmitter  
\* Laboratory Test  
\* Radar

### Specifications

Model	Frequency (GHz)	VSWR (max.)	Voltage Withstand (V)	Impedance of Dielectric (mΩ min.)	Impedance (Ω)	Outer Conductor	Dielectric	Inner Conductor	Outline Drawings
FANY-MM	DC~4	-	3500 @50Hz	5000	50	Nickel plated brass	PTFE	Silver plated brass	Outline A
FANY-FM	DC~4	-	3500 @50Hz	5000	50	Nickel plated brass	PTFE	Silver plated brass	Outline B

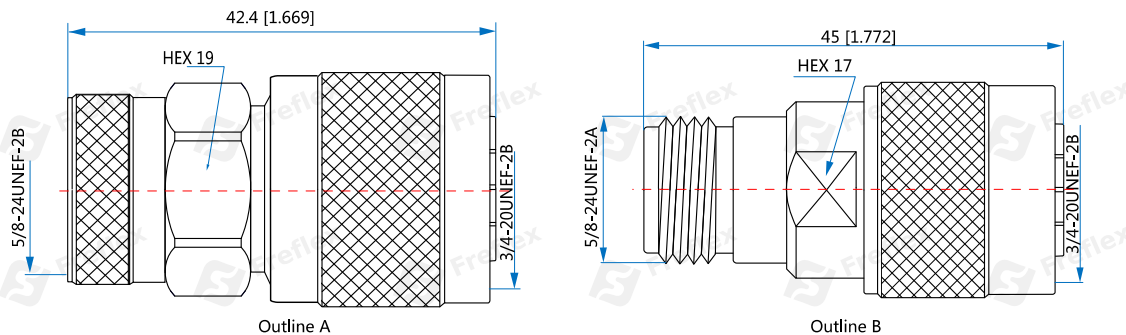
### Mechanical

RF Connectors: N  
HN  
Mating Life Cycle: 500 cycles

### Environmental

Temperature -45~+125°C

### Outline Drawings



Unit: mm [in]

Tolerance: ±0.2mm [±0.008in]

### How To Order

**FANY-MM** - N(m) to HN (m), Outline A

**FANY-FM** - N(f) to HN (m), Outline B

Customization is available upon request.