

FASF SMA to F Inch Thread

Features:
* Low VSWR

Applications:
* Wireless
* Transmitter
* Laboratory Test
* Radar

Specifications

Model	Frequency (GHz)	VSWR (max.)	Voltage Withstand (V)	Impedance of Dielectric (mΩ min.)	Impedance (Ω)	Outer Conductor	Dielectric	Inner Conductor	Outline Drawings
FASF-FM	DC~2	-	750	1000	75	Nickel plated brass	PTFE	Gold plated beryllium copper	Outline A
FASF-FF	DC~2	-	750	1000	75	Nickel plated brass	PTFE	Silver plated brass	Outline B

Mechanical

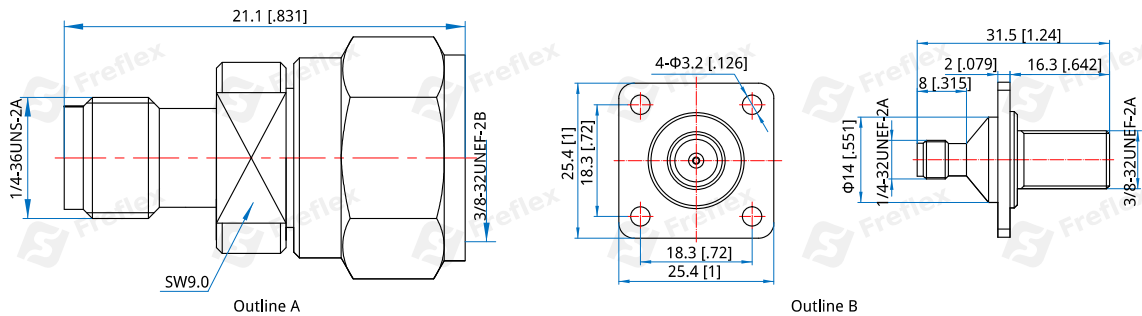
RF Connectors: SMA
F Inch Thread
Mating Life Cycle: 500 cycles

How To Order

FASF-FM - SMA(f) to F Inch Thread (m), Outline A

FASF-FF - SMA(f) to F Inch Thread (f), flange mount, Outline B

Outline Drawings



Unit: mm [in]

Tolerance: ±0.2mm [±0.008in]

Customization is available upon request.