

FCC-2000-4000-K5-N-1

2~4GHz, 500W

Features:

- * Broadband
- * High Power
- * Low Insertion Loss

Applications:

- * Wireless
- * Radar
- * Laboratory Test

Electrical

Frequency:	2~4GHz
Insertion Loss:	0.6dB max.
Isolation:	15dB min.
VSWR:	1.5 max.
Average Power:	500W

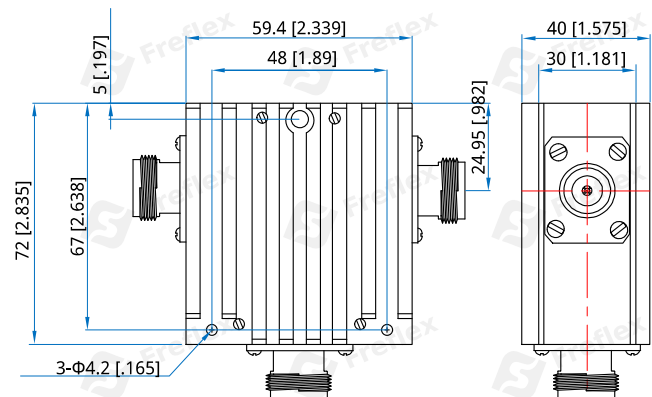
Mechanical

Size*1:	59.4*72*40mm 2.339*2.835*1.575in
RF Connectors:	N Female
Mounting:	3-Φ4.2mm through-hole
Cooling:	Forced air
Direction:	Clockwise

[1] Exclude connectors.

Environmental

Operating Temperature:	-20~+60°C
Non-operating Temperature:	-55~+85°C

Outline Drawings


Unit: mm [in]

Tolerance: ±0.2mm [±0.008in]

How To Order

FCC-2000-4000-K5-N-1

Customization is available upon request.