

## FCC-290-320-K8-7-1

0.29~0.32GHz, 800W, 7/16 DIN Female

### Features:

- \* Broadband
- \* High Power
- \* Low Insertion Loss

### Applications:

- \* Wireless
- \* Radar
- \* Laboratory Test

### Electrical

Frequency:	0.29~0.32GHz
Insertion Loss:	0.4dB max.
Isolation:	20dB min.
VSWR:	1.25 max.
Average Power:	800W
Peak Power:	1000W

### Mechanical

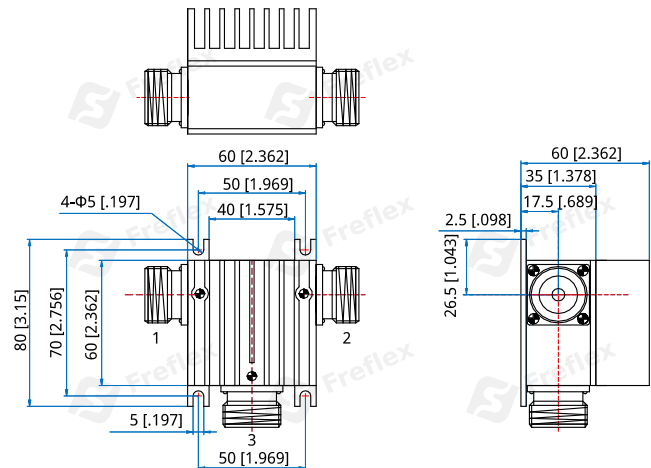
Size <sup>*1</sup> :	80*60*60mm
	3.15*2.362*2.362in
RF Connectors:	7/16 DIN Female
Direction:	Clockwise 1→2→3

[1] Exclude connectors.

### Environmental

Temperature:	-10~+70°C
--------------	-----------

### Outline Drawings



Unit: mm [in]

Tolerance: ±0.2mm [±0.008in]

### How To Order

**FCC-290-320-K8-7-1**

Customization is available upon request.