

# FCC-4000-8000-K3-N-1

## 4~8GHz, 300W

Features:  
 \* Broadband  
 \* High Power  
 \* Low Insertion Loss

Applications:  
 \* Wireless  
 \* Radar  
 \* Laboratory Test

### Electrical

Frequency:	4~8GHz
Insertion Loss:	0.6dB max.
Isolation:	15dB min.
VSWR:	1.5 max.
Average Power:	300W

### Mechanical

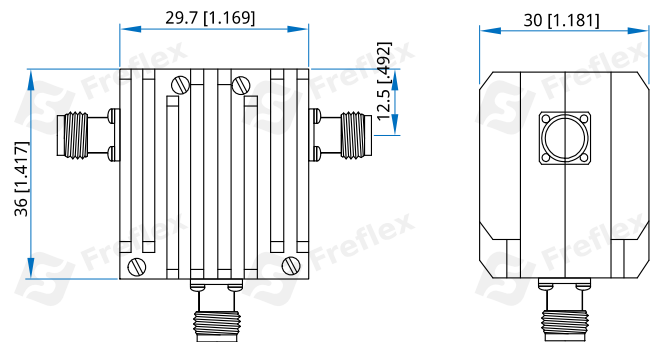
Size <sup>*1</sup> :	29.7*36*30mm 1.169*1.417*1.181in
RF Connectors:	N Female
Cooling:	Forced air
Direction:	Clockwise

[1] Exclude connectors.

### Environmental

Operating Temperature:	-20~+60°C
Non-operating Temperature:	-55~+85°C

### Outline Drawings



Unit: mm [in]

Tolerance:  $\pm 0.2$ mm [ $\pm 0.008$ in]

### How To Order

**FCC-4000-8000-K3-N-1**

Customization is available upon request.