

FCC1215C

High Power, High Isolation

Features:

- * High Power
- * High Isolation
- * Low Insertion Loss
- * Low VSWR

Applications:

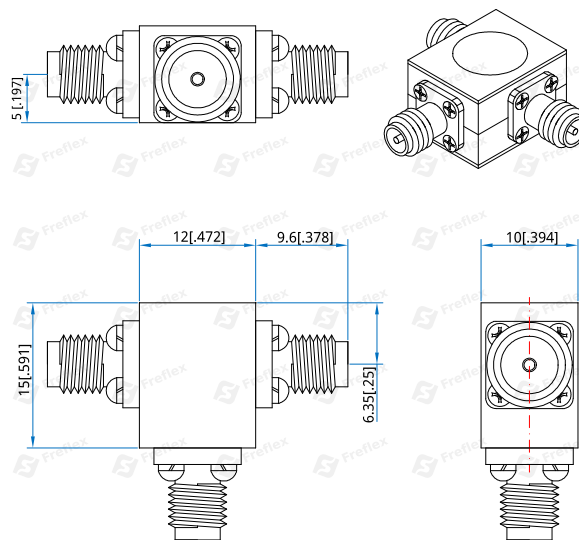
- * Wireless
- * Radar
- * Laboratory Test

Description

FCC1215C series Coaxial Circulators cover frequency range 9~16.5GHz. High power, high isolation and low insertion loss make it ideal for a lot of applications like amplifiers, transceivers, etc.

Specifications

Frequency (MHz)	Bandwidth (MHz)	IL (dB Max.)	Isolation (dB Min.)	VSWR (Max.)	Average Power (W)	Connector	Temperature (°C)
9300~9500	200	0.40	20.0	1.25	30	SMA	-30~+75
10500~12500	2000	0.50	18.0	1.3	30	SMA	-30~+75
10700~12800	2100	0.50	18.0	1.3	30	SMA	-30~+75
12700~14900	2200	0.50	18.0	1.3	30	SMA	-30~+75
14500~16500	2000	0.50	18.0	1.3	30	SMA	-30~+75

Outline Drawings


Unit: mm [inch] Tolerance: $\pm 0.2\text{mm}$ [$\pm 0.008\text{in}$]

Mechanical

Size^{*1}: 12*15*10mm
0.472*0.591*0.394in

[1] Exclude connectors

How To Order**FCC1215C-V-W-X-Y-Z**

V: Start frequency in MHz

W: Stop frequency in MHz

X: Average power in W

Y: Connector type

Z: Direction type

Connector Naming Rules:

S - SMA Female

Direction Naming Rules:

1 - Clockwise

2 - Anticlockwise

Examples:

To order a FCC1215C series Circulator, 9.3~9.5GHz, 30W, SMA female, Clockwise, specify FCC1215C-9300-9500-30-S-1.

Customization is available upon request.