

FCC1418C

High Power, High Isolation

Features:

- * High Power
- * High Isolation
- * Low Insertion Loss
- * Low VSWR

Applications:

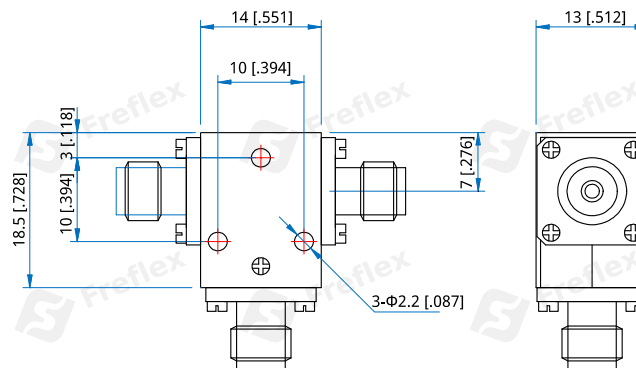
- * Wireless
- * Radar
- * Laboratory Test

Description

FCC1418C series Coaxial Circulators cover frequency range 6–12GHz. High power, high isolation and low insertion loss make it ideal for a lot of applications like amplifiers, transceivers, etc.

Specifications

Frequency (MHz)	Bandwidth (MHz)	IL (dB Max.)	Isolation (dB Min.)	VSWR (Max.)	Average Power (W)	Connector	Temperature (°C)
6000~12000	6000	0.60	15.0	1.5	50	SMA	-40~+70

Outline Drawings


Unit: mm [inch]

Tolerance: ±0.3mm [±0.012in]

Mechanical

 Size^{*1}: 18.5*14*13mm

0.728*0.551*0.512in

Mounting: 3-Φ2.2mm through-hole

[1] Exclude connectors

Connector Naming Rules:

S - SMA Female

Direction Naming Rules:

- 1 - Clockwise
- 2 - Anticlockwise

How To Order
FCC1418C-V-W-X-Y-Z

V: Start frequency in MHz

W: Stop frequency in MHz

X: Average power in W

Y: Connector type

Z: Direction type

Examples:

To order a FCC1418C series Circulator, 6000~12000MHz, 50W, SMA female, Clockwise, specify FCC1418C-6000-12000-50-S-1.

Customization is available upon request.