

# FCC1620B

## High Power, High Isolation

Features:  
 \* High Power  
 \* High Isolation  
 \* Low Insertion Loss  
 \* Low VSWR

Applications:  
 \* Wireless  
 \* Radar  
 \* Laboratory Test

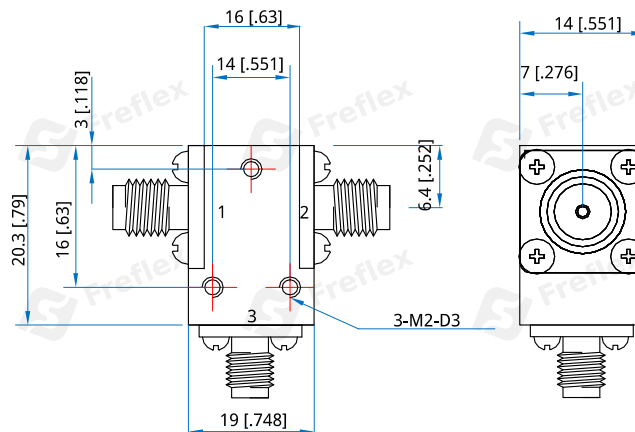
### Description

FCC1620B series Coaxial Circulators cover frequency range 6~18GHz. High power, high isolation and low insertion loss make it ideal for a lot of applications like amplifiers, transceivers, etc.

### Specifications

Frequency (MHz)	Bandwidth (MHz)	IL (dB Max.)	Isolation (dB Min.)	VSWR (Max.)	Average Power (W)	Connector	Temperature (°C)
6000~18000	12000	1.50	10.0	1.90	30	SMA	0~+60
8000~18000	10000	1.00	14.0	1.50	30	SMA	0~+60

### Outline Drawings



Unit: mm [inch]      Tolerance:  $\pm 0.2\text{mm}$  [ $\pm 0.008\text{in}$ ]

### Mechanical

Size<sup>\*1</sup>: 16\*20.3\*14mm  
 0.63\*0.79\*0.551in  
 Mounting: 3-M2, depth 3mm

[1] Exclude connectors

### Connector Naming Rules:

S - SMA Female

### Direction Naming Rules:

1 - Clockwise  
 2 - Anticlockwise

### How To Order

#### FCC1620B-V-W-X-Y-Z

V: Start frequency in MHz  
 W: Stop frequency in MHz  
 X: Average power in W  
 Y: Connector type  
 Z: Direction type

#### Examples:

To order a FCC1620B series Circulator, 6~18GHz, 20W, SMA female, Clockwise, specify FCC1620B-6000-18000-20-S-1.

Customization is available upon request.