

# FCC1623C

## High Power, High Isolation

Features:  
 \* High Power  
 \* High Isolation  
 \* Low Insertion Loss  
 \* Low VSWR

Applications:  
 \* Wireless  
 \* Radar  
 \* Laboratory Test

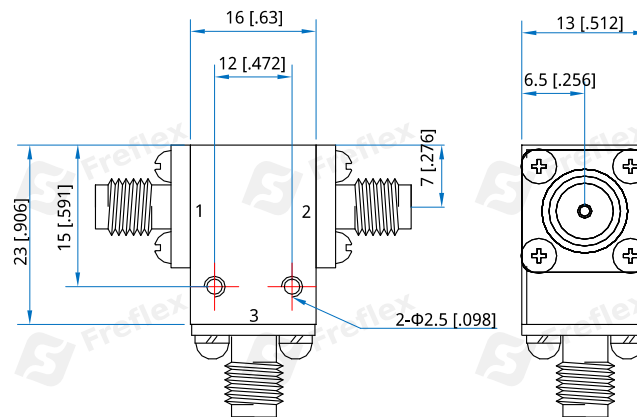
### Description

FCC1623C series Coaxial Circulators cover frequency range 5725~5850MHz. High power, high isolation and low insertion loss make it ideal for a lot of applications like amplifiers, transceivers, etc.

### Specifications

Frequency (MHz)	Bandwidth (MHz)	IL (dB Max.)	Isolation (dB Min.)	VSWR (Max.)	Average Power (W)	Connector	Temperature (°C)
5725~5850	125	0.3	23.0	1.20	100	SMA	-20~+80

### Outline Drawings



Unit: mm [inch]      Tolerance:  $\pm 0.2$ mm [ $\pm 0.008$ in]

### Mechanical

Size\*1: 16\*23\*13mm  
 0.63\*0.906\*0.512in

Mounting: 2- $\Phi$ 2.5mm through-hole

[1] Exclude connectors

### Connector Naming Rules:

S - SMA Female

### Direction Naming Rules:

1 - Clockwise  
 2 - Anticlockwise

### How To Order

#### FCC1623C-V-W-X-Y-Z

V: Start frequency in MHz  
 W: Stop frequency in MHz  
 X: Average power in W  
 Y: Connector type  
 Z: Direction type

Examples:

To order a FCC1623C series Circulator, 5725~5850MHz, 100W, SMA female, Clockwise, specify FCC1623C-5725-5850-K1-S-1.

Customization is available upon request.