

FCC2025B

High Power, High Isolation

Features:
 * High Power
 * High Isolation
 * Low Insertion Loss
 * Low VSWR

Applications:
 * Wireless
 * Radar
 * Laboratory Test

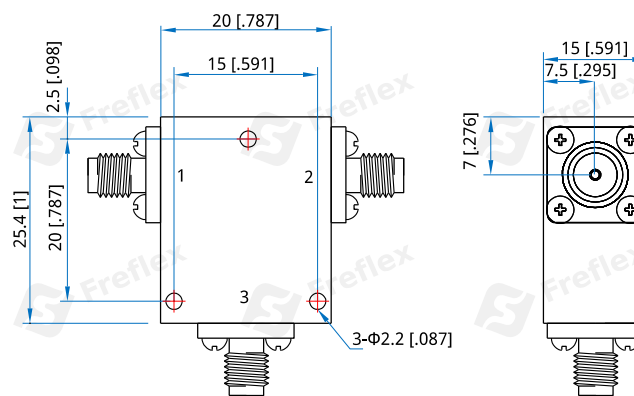
Description

FCC2025B series Coaxial Circulators cover frequency range 1.3~4GHz. High power, high isolation and low insertion loss make it ideal for a lot of applications like amplifiers, transceivers, etc.

Specifications

Frequency (MHz)	Bandwidth (MHz)	IL (dB Max.)	Isolation (dB Min.)	VSWR (Max.)	Average Power (W)	Connector	Temperature (°C)
1300~4000	100	0.30	23.0	1.20	100	SMA	-30~+70
1700~1900	200	0.40	20.0	1.25	100	SMA	-30~+70
1900~2200	300	0.40	20.0	1.25	100	SMA	-30~+70
2400~2500	100	0.25	25.0	1.15	100	SMA	-30~+70
2500~2700	200	0.30	23.0	1.20	100	SMA	-30~+70
2700~3100	400	0.30	20.0	1.25	100	SMA	-30~+70
3100~3400	300	0.30	20.0	1.20	100	SMA	-30~+70
3400~3600	200	0.30	20.0	1.20	100	SMA	-30~+70
3600~4000	400	0.30	20.0	1.25	100	SMA	-30~+70

Outline Drawings



Unit: mm [inch] Tolerance: $\pm 0.2\text{mm}$ [$\pm 0.008\text{in}$]

Mechanical

Size^{*1}: 20*25.4*15mm
 0.787*1*0.591in
 Mounting: 3-Φ2.2mm through-hole

[1] Exclude connectors

How To Order

FCC2025B-V-W-X-Y-Z
 V: Start frequency in MHz
 W: Stop frequency in MHz
 X: Average power in W
 Y: Connector type
 Z: Direction type

Connector Naming Rules:

S - SMA Female

Direction Naming Rules:

1 - Clockwise

2 - Anticlockwise

Examples:

To order a FCC2025B series Circulator, 1700~1900MHz, 100W, SMA female, Clockwise, specify FCC2025B-1700-1900-K1-S-1.

Customization is available upon request.