

# FCC2123B

## High Power, High Isolation

Features:  
 \* High Power  
 \* High Isolation  
 \* Low Insertion Loss  
 \* Low VSWR

Applications:  
 \* Wireless  
 \* Radar  
 \* Laboratory Test

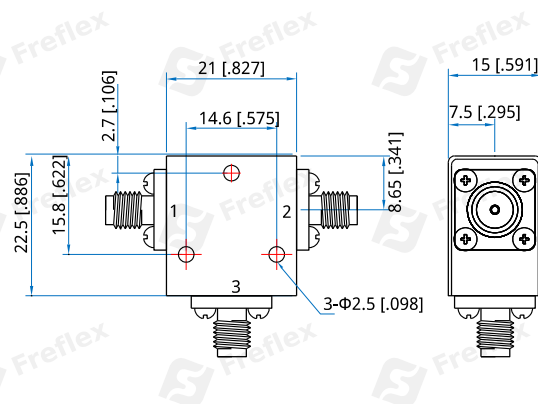
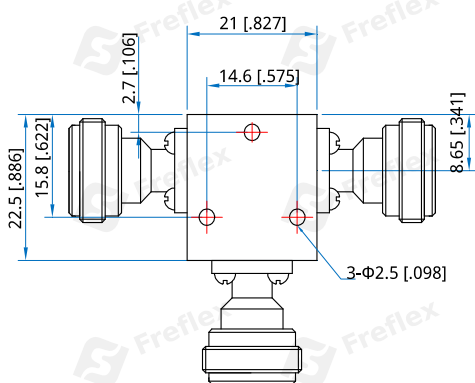
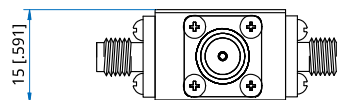
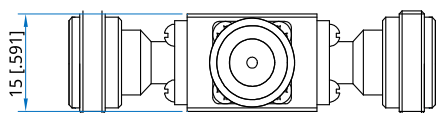
### Description

FCC2123B series Coaxial Circulators cover frequency range 4~8GHz. High power, high isolation and low insertion loss make it ideal for a lot of applications like amplifiers, transceivers, etc.

### Specifications

Frequency (MHz)	Bandwidth (MHz)	IL (dB Max.)	Isolation (dB Min.)	VSWR (Max.)	Average Power (W)	Connector	Temperature (°C)
4000~8000	4000	0.60	18.0	1.35	50	SMA, N	-10~+60
6400~7200	800	0.40	20.0	1.25	30	SMA	0~+60

### Outline Drawings



Outline A

Outline B

Unit: mm [inch]      Tolerance: ±0.2mm [±0.008in]

### Mechanical

Size\*1: 21\*22.5\*15mm  
 0.827\*0.886\*0.591in

Mounting: 3-Φ2.5mm through-hole

[1] Exclude connectors

### How To Order

**FCC2123B-V-W-X-Y-Z**

V: Start frequency in MHz

W: Stop frequency in MHz

X: Average power in W

Y: Connector type

Z: Direction type



## Coaxial Circulators

### Connector Naming Rules:

- N - N Female (Outline A)
- S - SMA Female (Outline B)

### Direction Naming Rules:

- 1 - Clockwise
- 2 - Anticlockwise

### Examples:

To order a FCC2123B series Circulator, 4~8GHz, 50W, SMA female, Clockwise, specify FCC2123B-4000-8000-50-S-1.

Customization is available upon request.