

# FCC2125X

## High Power, High Isolation

**Features:**

- \* High Power
- \* High Isolation
- \* Low Insertion Loss
- \* Low VSWR

**Applications:**

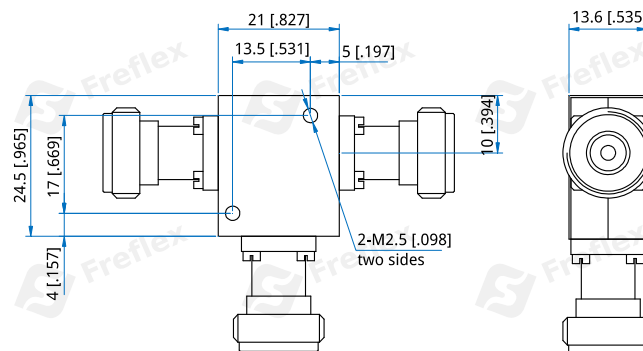
- \* Wireless
- \* Radar
- \* Laboratory Test

**Description**

FCC2125X series Coaxial Circulators cover frequency range 6.4~6.7GHz. High power, high isolation and low insertion loss make it ideal for a lot of applications like amplifiers, transceivers, etc.

**Specifications**

Frequency (MHz)	Bandwidth (MHz)	IL (dB Max.)	Isolation (dB Min.)	VSWR (Max.)	Average Power (W)	Connector	Temperature (°C)
6400~6700	300	0.35	20	1.25	250	N	-30~+70

**Outline Drawings**


Unit: mm [inch]

Tolerance: ±0.2mm [±0.008in]

**Mechanical**

 Size\*1: 21\*24.5\*13.6mm  
 0.827\*0.965\*0.535in

Mounting: 2-M2.5mm

[1] Exclude connectors

**Connector Naming Rules:**

N - N Female

**Direction Naming Rules:**

- 1 - Clockwise
- 2 - Anticlockwise

**How To Order**
**FCC2125X-V-W-X-Y-Z**

V: Start frequency in MHz

W: Stop frequency in MHz

X: Average power in W

Y: Connector type

Z: Direction type

**Examples:**

To order a FCC2125X series Circulator, 6400~6700MHz, 250W, N female, Clockwise, specify FCC2125X-6400-6700-K25-N-1.

Customization is available upon request.