

# FCC2528B

## High Power, High Isolation

Features:  
 \* High Power  
 \* High Isolation  
 \* Low Insertion Loss  
 \* Low VSWR

Applications:  
 \* Wireless  
 \* Radar  
 \* Laboratory Test

### Description

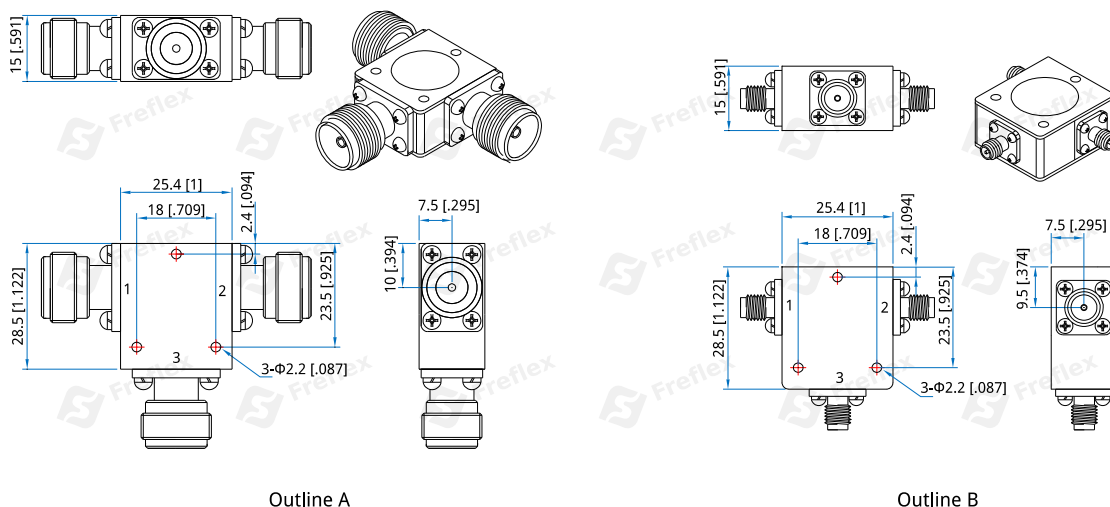
FCC2528B series Coaxial Circulators cover frequency range 800~4000MHz. High power, high isolation and low insertion loss make it ideal for a lot of applications like amplifiers, transceivers, etc.

### Specifications

Frequency (MHz)	Bandwidth (MHz)	IL (dB Max.)	Isolation (dB Min.)	VSWR (Max.)	Average Power* <sup>1</sup> (W)	Connector	Temperature (°C)
800~1300	70	0.30	23.0	1.20	10~200	SMA, N	-30~+70
820~880	60	0.30	23.0	1.20	10~200	SMA, N	-30~+70
920~960	40	0.30	23.0	1.20	10~200	SMA, N	-30~+70
1200~1400	200	0.30	23.0	1.20	10~200	SMA, N	-30~+70
1300~4000	100	0.30	23.0	1.20	10~200	SMA, N	-30~+70
1700~1900	200	0.40	20.0	1.25	10~200	SMA, N	-30~+70
1900~2200	300	0.40	20.0	1.25	10~200	SMA, N	-30~+70
2200~2500	300	0.35	20.0	1.20	10~200	SMA, N	-30~+70
2500~2700	200	0.30	23.0	1.20	10~200	SMA, N	-30~+70
2700~3100	400	0.30	20.0	1.25	10~200	SMA, N	-30~+70
3100~3400	300	0.30	20.0	1.20	10~200	SMA, N	-30~+70
3400~3600	200	0.30	20.0	1.20	10~200	SMA, N	-30~+70
3600~4000	400	0.30	20.0	1.25	10~200	SMA, N	-30~+70

[1] The connector is SMA, and the maximum average power can only reach 100W

### Outline Drawings



Unit: mm [inch]

Tolerance: ±0.2mm [±0.008in]

**Mechanical**

---

Size\*2: 25.4\*28.5\*15mm  
1\*1.122\*0.591in

Mounting: 3- $\Phi$ 2.2mm through-hole

[2] Exclude connectors

**Connector Naming Rules:**

N - N Female (Outline A)

S - SMA Female (Outline B)

**Direction Naming Rules:**

1 - Clockwise

2 - Anticlockwise

**How To Order****FCC2528B-V-W-X-Y-Z**

V: Start frequency in MHz

W: Stop frequency in MHz

X: Average power in W

Y: Connector type

Z: Direction type

**Examples:**

To order a FCC2528B series Circulator, 820~880MHz, 100W, SMA female, Clockwise, specify FCC2528B-820-880-K1-S-1.

Customization is available upon request.